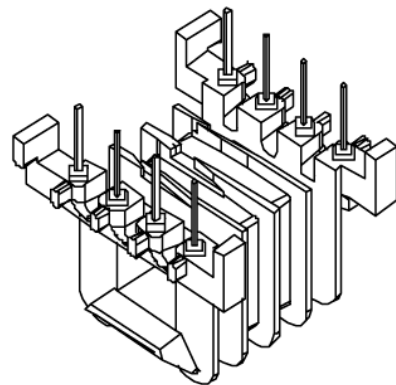
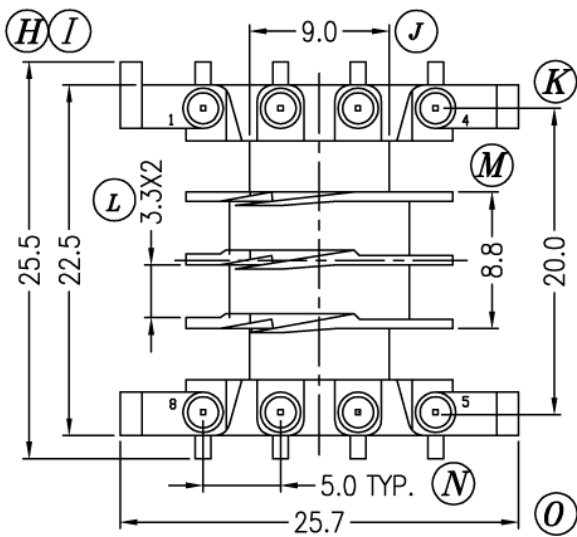
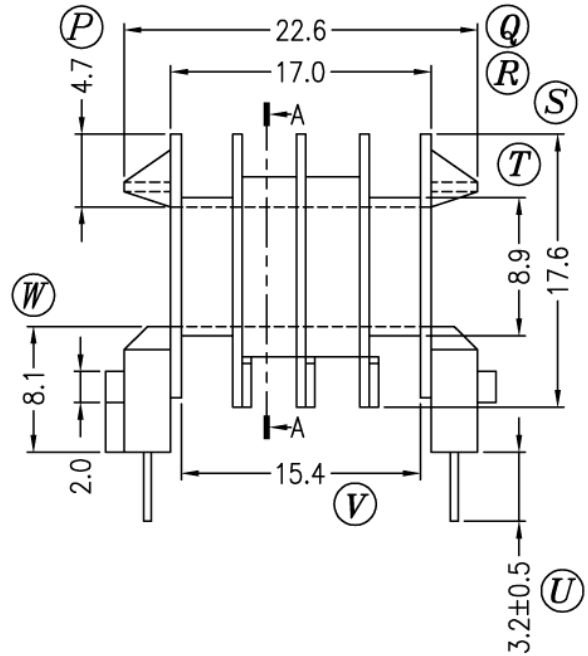
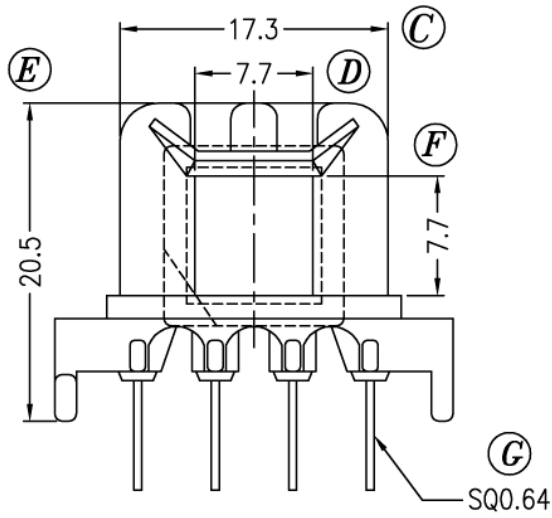
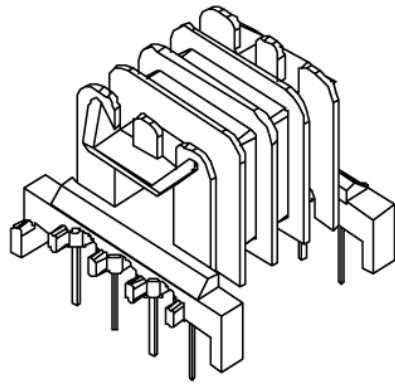


SEC. A-A



REV.	REVISIONS	REC.	DATE	REV.	REVISIONS	REC.	DATE
1	更改尺寸:9.0->8.9						
2	更改尺寸:22.8->22.6;7.6->7.7						
3	UPDATE DRAWING		06'06.30				

DRAWN & DRAFTED BY XIE SHU BO	TOLERANCES		ANGLE: ±1°	TITLE: BOBBIN EF-25H (4 GROOVES)		
	0<L≤4 ±0.1	pin pitch ±0.2	UNIT: MM	BOBBIN MATERIAL: PET FR530	UL REC. UL 94V-0	
CHECKED & APPROVED BY	4<L≤16 ±0.2		ORIGIN: DG	PIN MATERIAL: CP WIRE	PIN TENSION LOAD: 1.5KG MIN	
LEPCOS (NWL) <a href="http://ferrite.ru">http://ferrite.ru</a> Pin Shine Industrial Co bobbin			DATE: DEC.18'1996	DRAWING NO. P-2501	REV. 3	