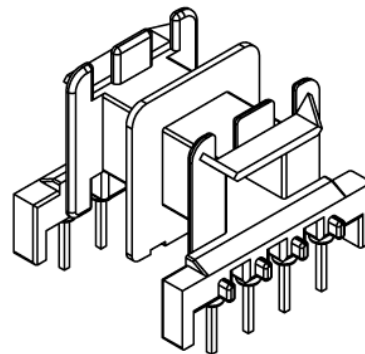
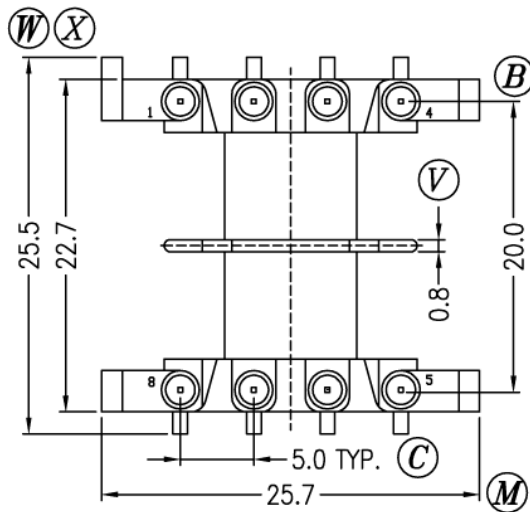
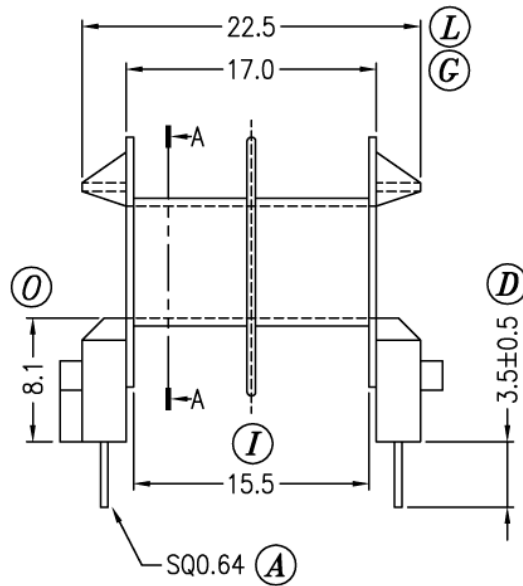
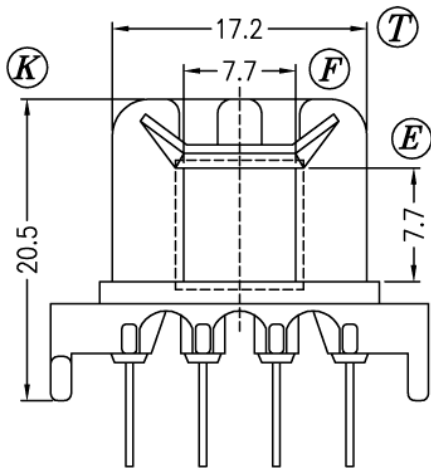
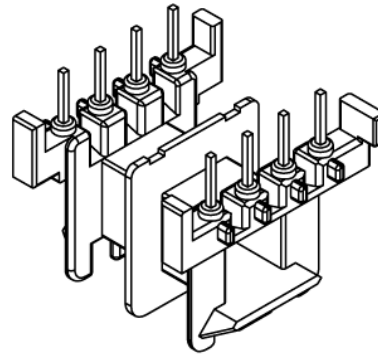


SEC.A-A



REV.	REVISIONS REC.	DATE	REV.	REVISIONS REC.	DATE
2	(K):20.6→20.5 (F):7.6→7.7 (E):7.6→7.7 (O): 8.0→8.1				
3	(L):22.8→22.5				
4	(W):25.7→25.5				

DRAWN & DRAFTED BY ZHANG JR	TOLERANCES		ANGLE: $\pm 1^\circ$	TITLE: T-H BOBBIN EF-25H (2 GROOVES)	
	0<L≤4 ±0.1	pin pitch ±0.2	UNIT: MM	BOBBIN MATERIAL: PET FR-530	UL REC. UL 94V-0
CHECKED & APPROVED BY	4<L≤16 ±0.2		ORIGIN: DG	PIN MATERIAL: CP WIRE	PIN TENSION LOAD: 1.5KG MIN
LEPCOS (NWL) http://ferrite.ru Pin Shine Industrial Co bobbin			DATE: MAY.26'2000	DRAWING NO. P-2518	REV. 4