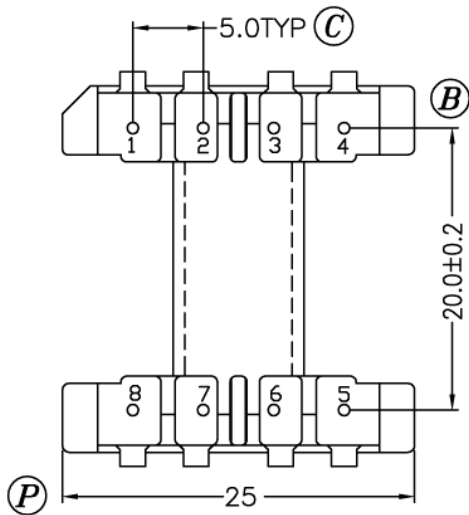
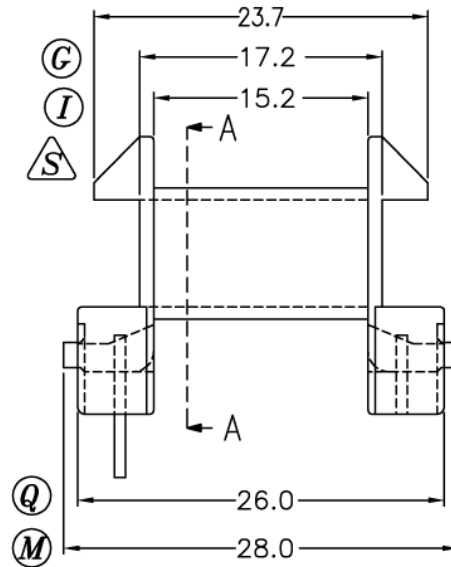
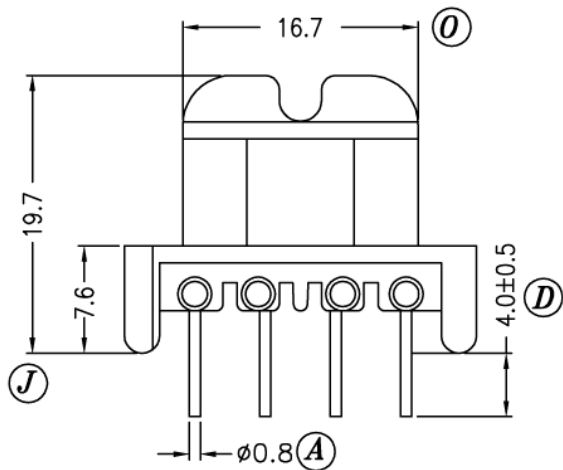
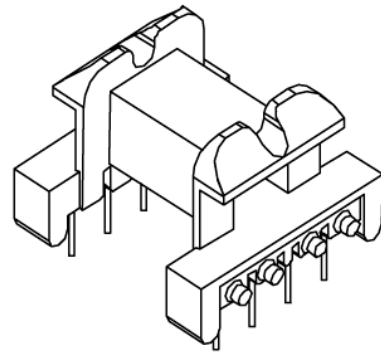


SEC.A-A



REV.	REVISIONS	REC.	DATE	REV.	REVISIONS	REC.	DATE
1		SHAPE MODIFIED		4	CANCEL (L),(K),(N); UPDATE DRAWING		
2		UPDATE THE DRAWING					
3		CORRECT THE DRAWING ON					

DRAWN & DRAFTED BY DENG GUI ZHEN	TOLERANCES		ANGLE: ±1°	TITLE: BOBBIN EF-25		
	0<L≤4 ±0.1	pin pitch ±0.2	UNIT: MM	BOBBIN MATERIAL: PHENOLIC PM T375J	UL REC. UL 94V-0	
CHECKED & APPROVED BY	4<L≤16 ±0.2	16<L≤63 ±0.3	ORIGIN: DG SZ	PIN MATERIAL: CP WIRE	PIN TENSION LOAD: 1.5KG MIN	
LEPCOS ( NWL) <a href="http://ferrite.ru">http://ferrite.ru</a> Pin Shine Industrial Co bobbin				DATE: MAY.25 '2001	DRAWING NO. P-2520	REV. 4