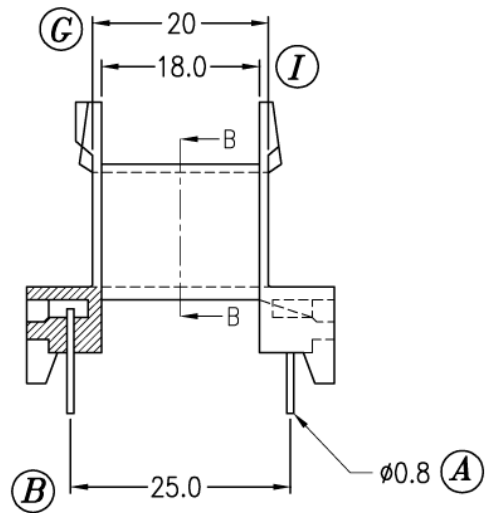
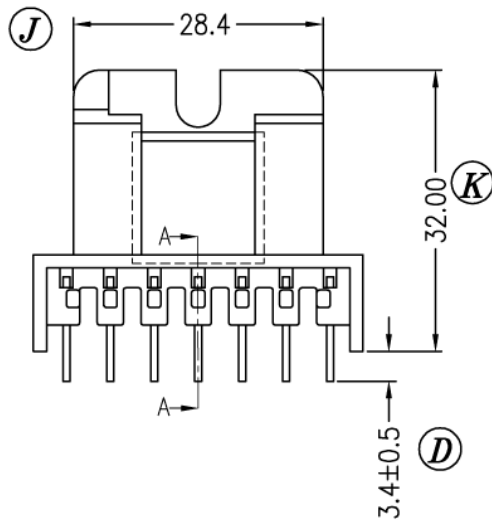
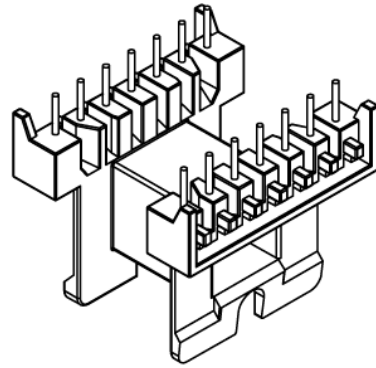
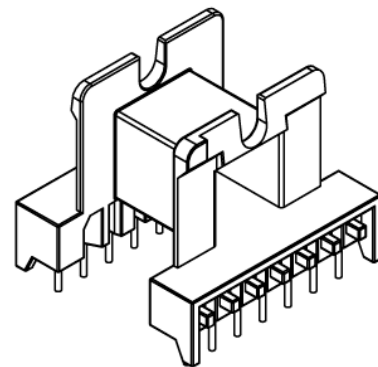
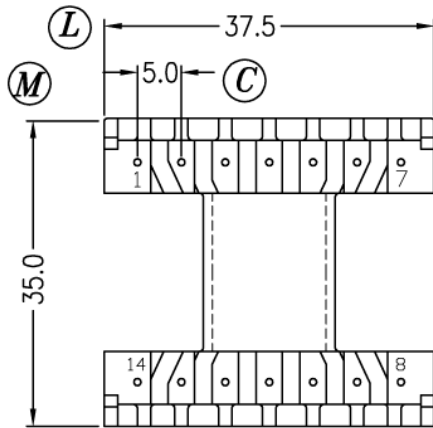


SECTION B-B



SECTION A-A



REV.	REVISIONS REC.	DATE	REV.	REVISIONS REC.	DATE
1	UPDATE THE DRAWING.				
2	CANCEL (O),(N); UPDATE DRAWING.				
3	更換圖框	06.07.03			

DRAWN & DRAFTED BY XIE SHU BO	TOLERANCES		ANGLE: $\pm 1^\circ$	TITLE: BOBBIN EE40	
	0 < L ≤ 4 ±0.1	pin pitch ±0.2	UNIT: MM	BOBBIN MATERIAL: PBT 4130	UL REC. UL 94V-0
CHECKED & APPROVED BY	4 < L ≤ 16 ±0.2		ORIGIN: DG	PIN MATERIAL: CP WIRE	PIN TENSION LOAD: 2.0KG MIN.
LEPCOS (NWL) http://ferrite.ru Pin Shine Industrial Co bobbin			DATE: MAY.07 '2001	DRAWING NO. P-4008	REV. 3