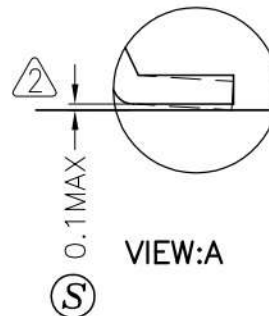
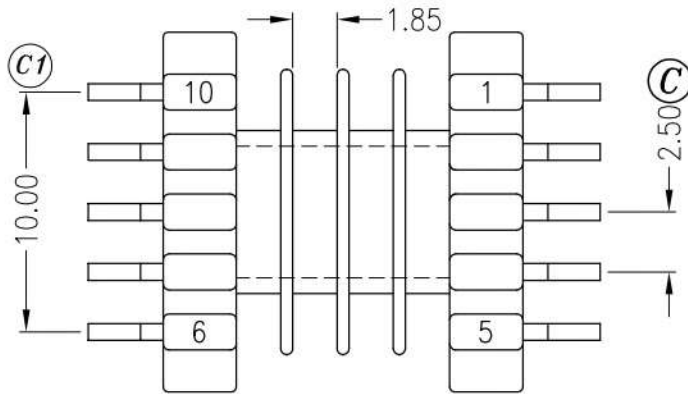
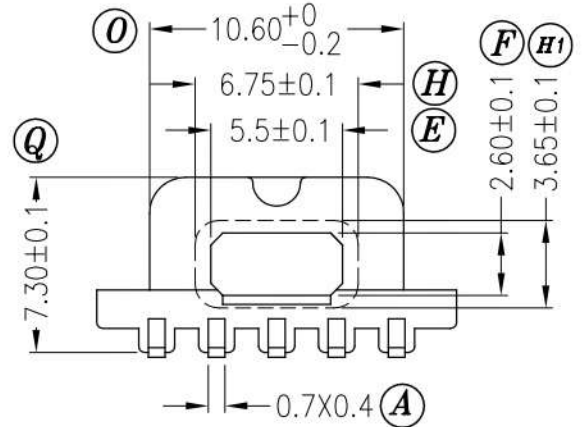
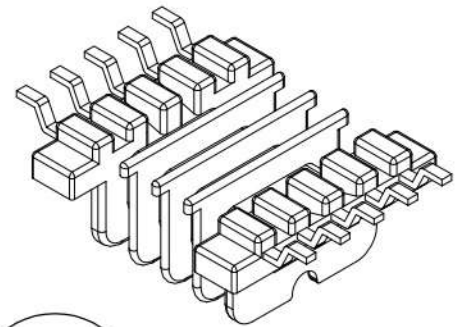


VIEW:A



VIEW:A



| REV. | REVISIONS REC.                                 | DATE      | REV. | REVISIONS REC. | DATE |
|------|--|-----------|------|----------------|------|
| 1    | UPDATE FORMAT                                  | '04.05.20 |      |                |      |
| 2    | ADD A DIMENSION:(S),AND CORRECT DIM.(T1)&(T2). | '05.04.28 |      |                |      |

|  |              |                   |           |                   |                   |
|--|--------------|-------------------|-----------|-------------------|-------------------|
| DRAWN &<br>DRAFTED BY  | TOLERANCES   |                   | ANGLE:    | TITLE:            |                   |
|  | 0<L≤4 ±0.1   | pin pitch<br>±0.2 | ±1°       | SMD BOBBIN EFD-15 |                   |
| CHECKED &<br>APPROVED BY   | 4<L≤16 ±0.2  |                   | UNIT:     | BOBBIN MATERIAL:  | UL REC.           |
|  | 16<L≤63 ±0.3 | MM                | LCP E4008 | UL 94V-0          |                   |
| LEPCOS (North-West Laboratory)<br>http://ferrite.ru Tel/fax +7-812-369-11-54<br>St-Petesburg, Russia |              |                   | ORIGIN:   | PIN MATERIAL:     | PIN TENSION LOAD: |
|  |              |                   | DG        | PHOSPHOR BRONZE   | 1.0KG MIN         |
|  |              |                   | DATE:     | DRAWING NO.       | REV.              |
|  |              |                   |           | E-029             | 2                 |