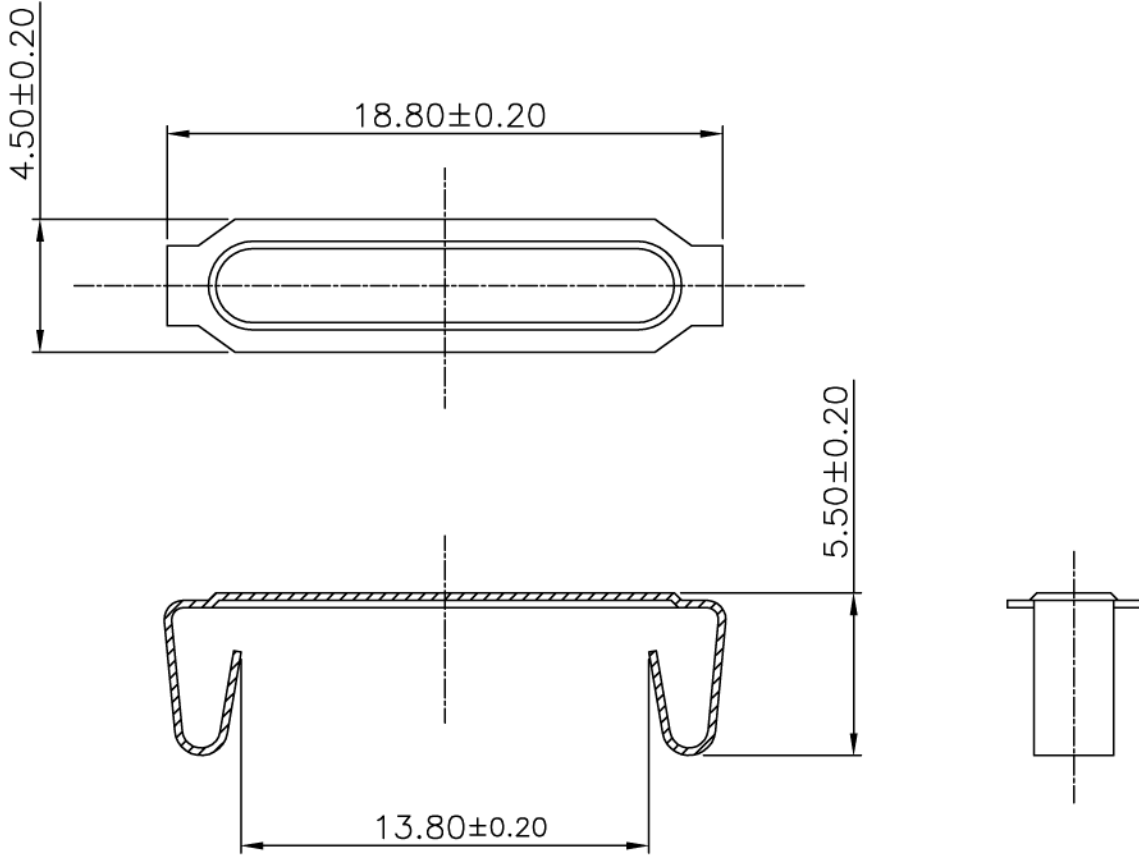


LEPCOS (North-West Laboratory)

http://ferrite.ru Tel/fax +7-812-369-11-54
St-Petesburg, Russia

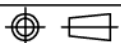
REVISIONS

REV	SYM	DRAFTER	CHECKER	DATE
△		T.S.Lii	W.H.Hsu	10/04/05
△				
△				



T=0.25

PART NO.	Clamp EFD15 E-031C				
DWG NO.	MATERIAL (BOBBIN)	MATERIAL (TERMINAL)	TERMINAL (PLATING)	PIN ALOCATION	BUYER 'S PART NO.
E-031C		SUS301			



TOLERANCE : .X ±0.15 .XX ±0.10 .XXX ±0.05

UNIT : m / m

SCALE 1 : 1

- Finish:
1. Immersion gold on terminal : Thickness gold $0.075 \mu\text{m}$ ($3 \mu\text{inches}$) min, Base nickel $0.625 \mu\text{m}$ ($25 \mu\text{inches}$) min.
 2. Immersion Sn on terminal : Terminal: Sn plating, $100, 5 \mu\text{m}$ ($200 \mu\text{inches}$) min , Base nickel $0.625 \mu\text{m}$ ($25 \mu\text{inches}$) min.
 3. Coplanarity deviation: 0.10 mm (0.004 inches) max.

REV 1