

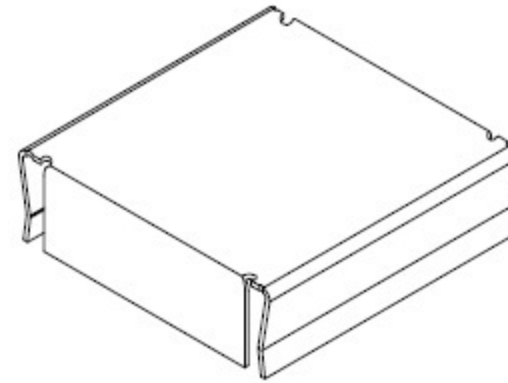
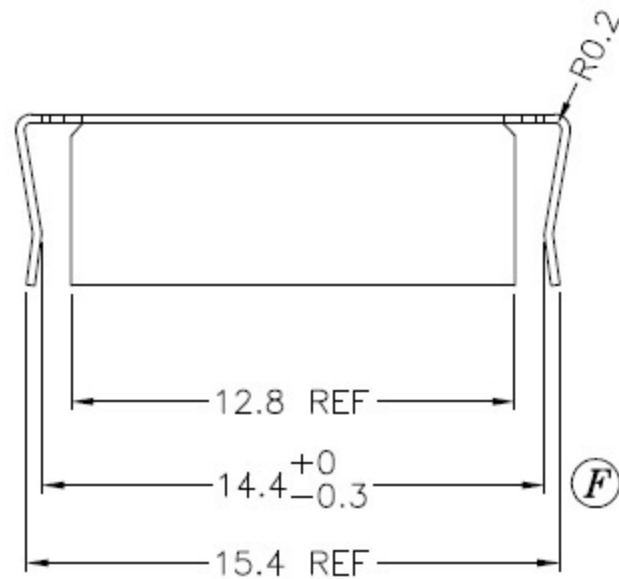
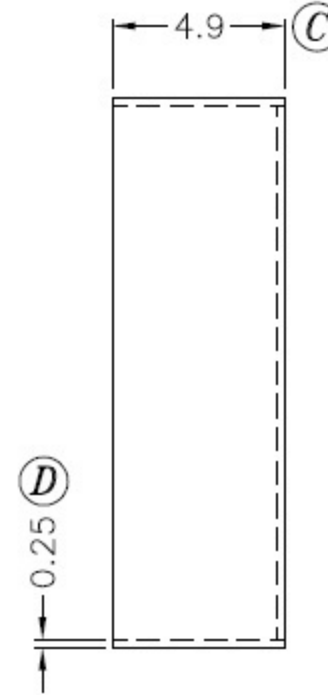
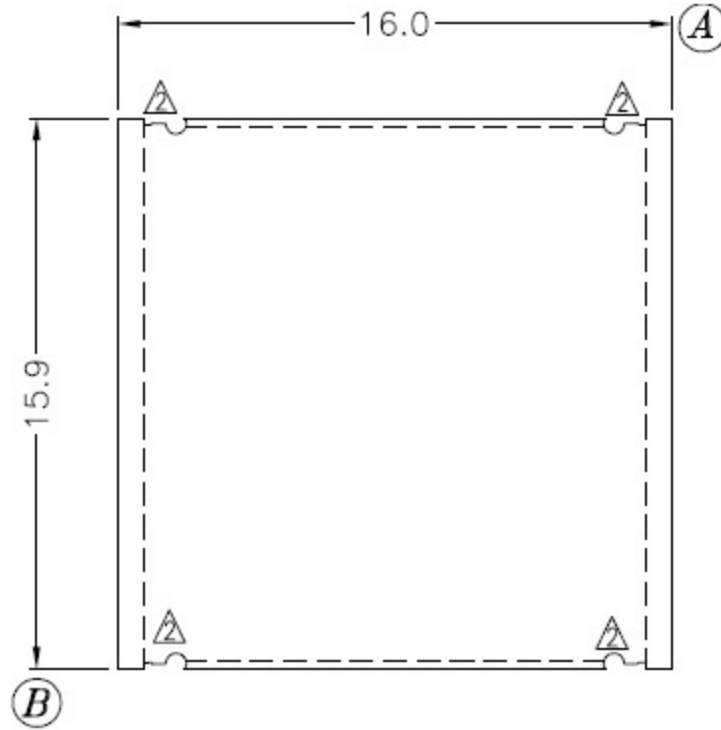
**LEPCOS (North-West Laboratory)**

http://ferrite.ru Tel/fax +7-812-369-11-54

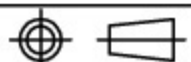
St-Petesburg, Russia

REVISIONS

REV	SYM	DRAFTER	CHECKER	DATE
①		T.S.Lii	W.H.Hsu	10/04/05
②				
③				



PART NO.	Clamp EFD15 E-031C1				
DWG NO.	MATERIAL (BOBBIN)	MATERIAL (TERMINAL)	TERMINAL (PLATING)	PIN ALOCATION	BUYER ' S PART NO.
E-031C1		Stainless steel			



TOLERANCE : .X ±0.15 .XX ±0.10 .XXX ±0.05

UNIT : m / m

SCALE

Finish: 1. Immersion gold on terminal : Thickness gold 0.075 μm (3 μ inches) min, Base nickel 0.625 μm (25 μ inches) min.  
 2. Immersion Sn on terminal : Terminal: Sn plating, 100, 5 μm (200 μ inches) min , Base nickel 0.625 μm (25 μ inches) min.  
 3. Coplanarity deviation: 0.10 mm (0.004 inches) max.

REV 1