

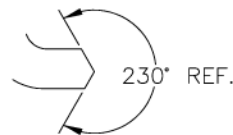
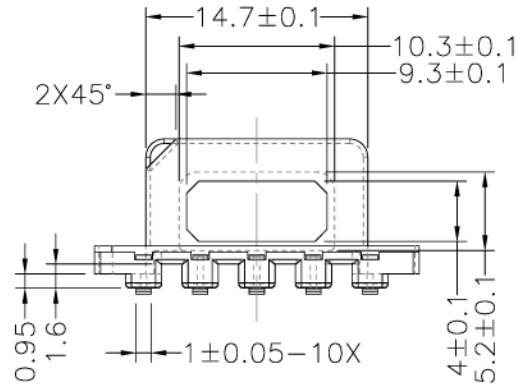
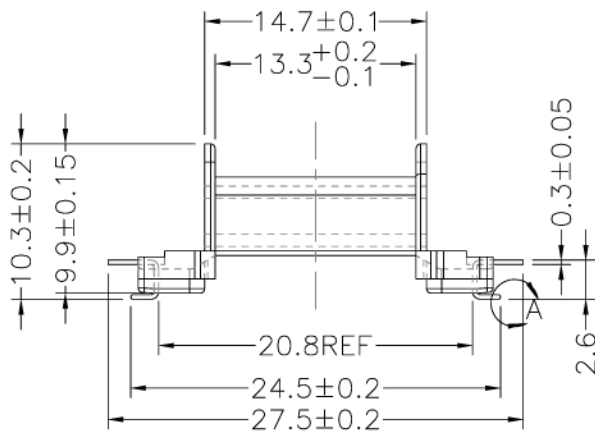
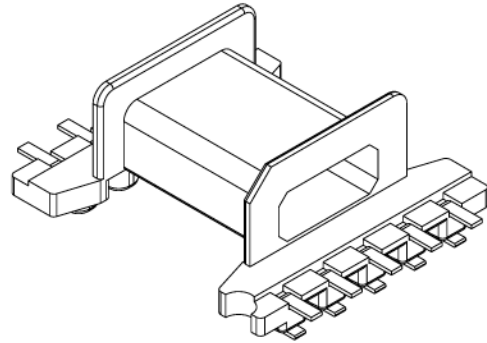
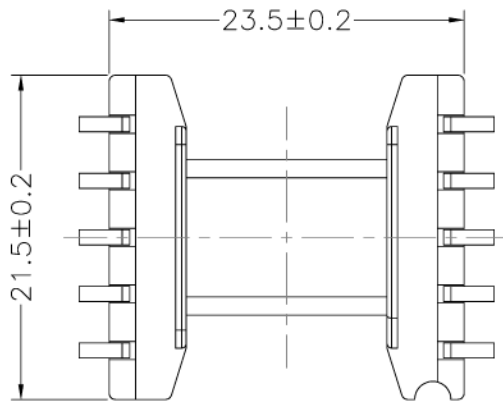
LEPCOS (North-West Laboratory)

http://ferrite.ru Tel/fax +7-812-369-11-54

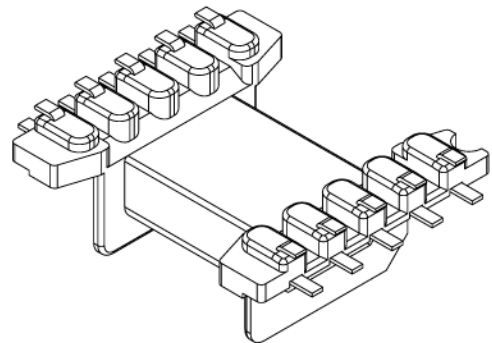
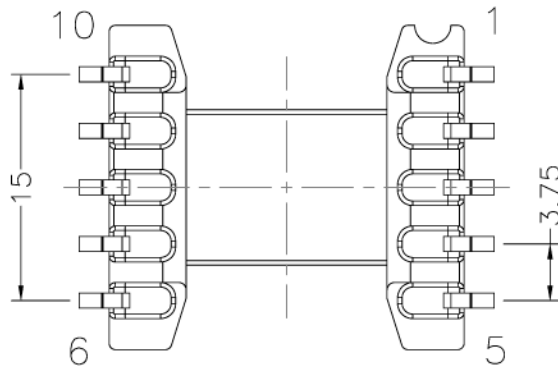
St-Petesburg, Russia

REVISIONS

REV	SYM	DRAFTER	CHECKER	DATE
1		X.H.GU	W.H.HSU	04/25/07
2		G.F.YANG	W.H.HSU	11/14/07
3		S.Y.TANG	G.F.YANG	12/15/07



DETAIL:A
PATENTED



DWG NO. EFD20 Bobbin 1 sec 10 pin SMD E-052

PART NO.	MATERIAL (BOBBIN)	MATERIAL (TERMINAL)	TERMINAL (PLATING)	PIN ALLOCATION	NOTE
E-052	PM-9630	P.B	Sn	ALL PIN	
TOLERANCE: .X±0.15 .XX±0.10 .XXX±0.05				UNIT : m / m	SCALE 2 : 1

Finish: 1. Pb wire Immersion Sn on terminal : Thickness:Sn plating,100,5 μm (200 μ inches) min,Base nickel 0.625 μm (25 μ inches) min.
2. CP wire Immersion Sn on terminal : Thickness:Sn plating,100,5 μm (200 μ inches) min.
3. Coplanarity deviation: 0.10 mm (0.004 inches)max.

REV 3