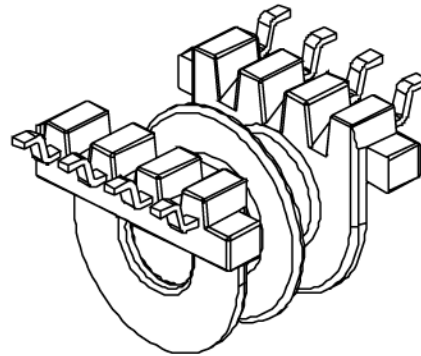
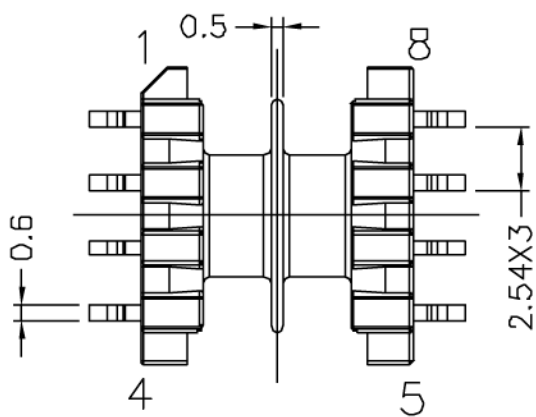
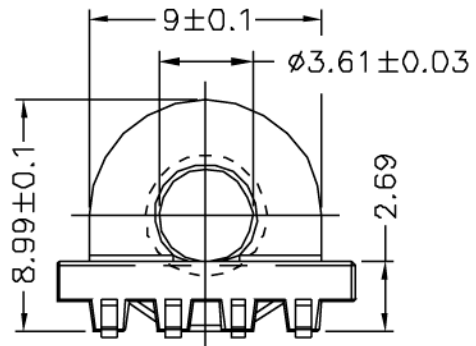
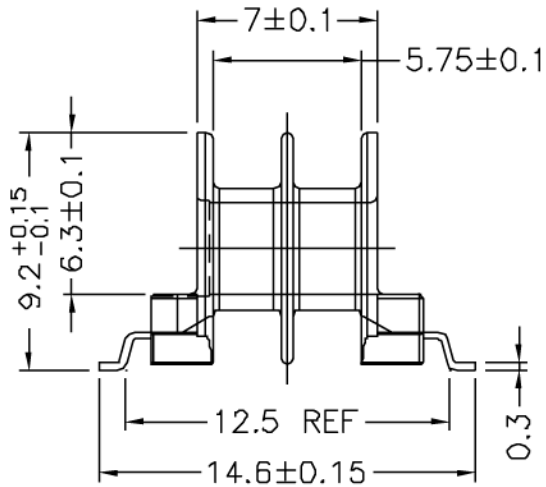
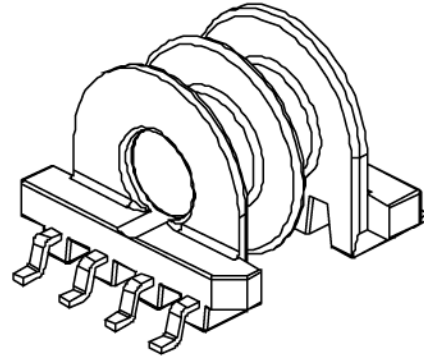
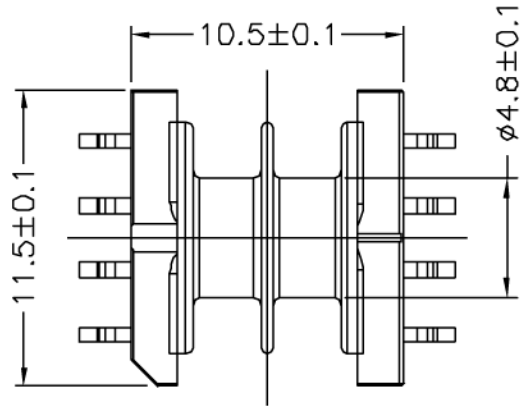


**LEPCOS (North-West Laboratory)**  
<http://ferrite.ru> Tel/fax +7-812-369-11-54  
 St-Petesburg, Russia

REVISIONS

REV	SYM	DRAFTER	CHECKER	DATE
△		T.S.LII	W.H.HSU	10/16/02
△		T.S.LII	W.H.HSU	09/08/03
△		T.S.LII	W.H.HSU	12/17/03



PART NO. Bobbin EP10 2 sec 8 pin SMD

DWG NO. E-013-1

TBI NO. MATERIAL (BOBBIN) MATERIAL (TERMINAL) TERMINAL (PLATING)

E-013-1 PM-9630 P.B Sn

Finish:

- 1-1. Immersion gold on terminal.  
 Thickness gold 0.075 μm (3 μ inches) min,  
 Base nickel 0.625 μm (25 μ inches) min.
- 1-2. Immersion Sn on terminal.  
 Terminal:Sn plating,100, 5 μm (200 μ inches) min  
 Base nickel 0.625 μm (25 μ inches) min.
- 1-3. Immersion Sn/Pb on terminal.  
 Terminal:Sn/Pb plating,90/10, 5 μm (200 μ inches) min  
 Base nickel 0.625 μm (25 μ inches) min. (for pin GW type)
2. Coplanarity deviation: 0.004 inches max.

ALL PIN	
PIN LOCATION	
TOLERANCE	.X ±0.15 .XX ±0.10 .XXX ±0.05
UNIT	m/m
SCALE	3.5 : 1
REV	7