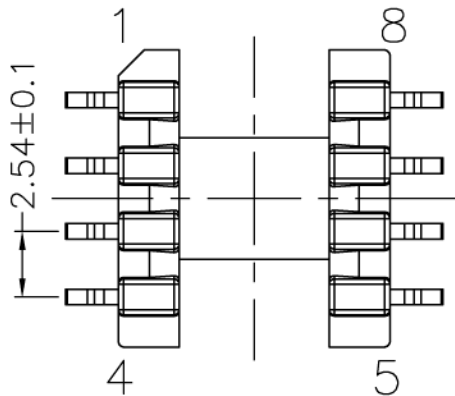
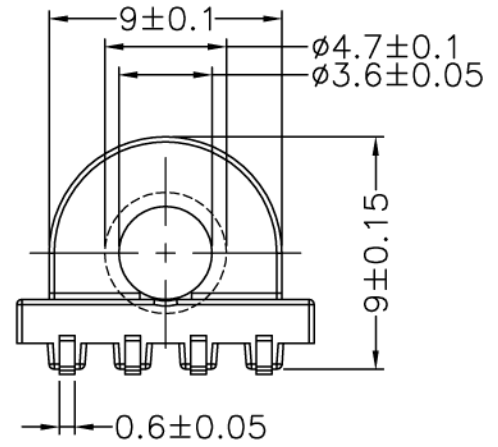
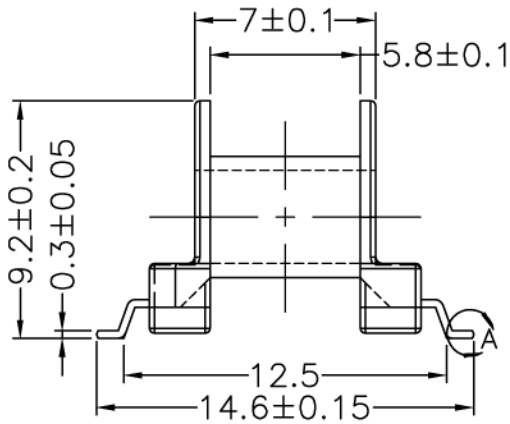
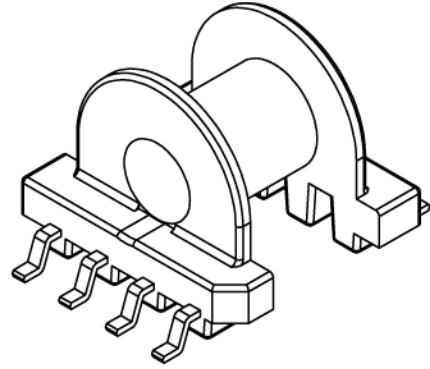
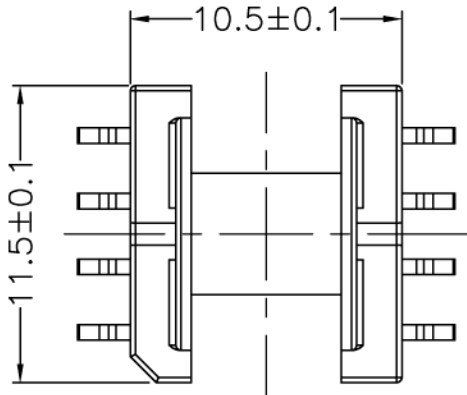
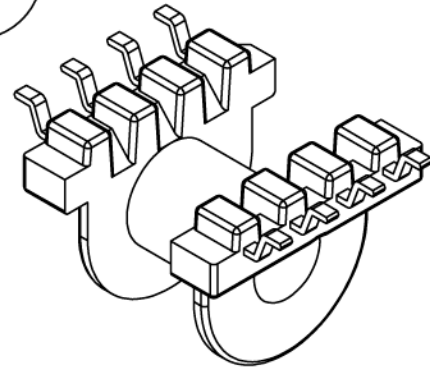


LEPCOS (North-West Laboratory)
 http://ferrite.ru Tel/fax +7-812-369-11-54
 St-Petesburg, Russia

REVISIONS				
REV	SYM	DRAFTER	CHECKER	DATE
△		T.S.LII	W.H.HSU	10/16/02
△		T.S.LII	W.H.HSU	09/08/03
△		T.S.LII	W.H.HSU	12/17/03



DETAIL: A
PATENTED



PART NO. Bobbin EP10 1sec 8 pin SMD

DWG NO. E-013

TBI NO. MATERIAL (BOBBIN) MATERIAL (TERMINAL) TERMINAL (PLATING)

E-013 PM-9630 P.B Sn

PART NO. REV .103

ALL PIN

PIN LOCATION

Finish:
 1-1. Immersion gold on terminal.
 Thickness gold 0.075 μ m (3 μ inches) min,
 Base nickel 0.625 μ m (25 μ inches) min.
 1-2. Immersion Sn on terminal.
 Terminal:Sn plating,100, 5 μ m (200 μ inches) min
 Base nickel 0.625 μ m (25 μ inches) min.
 1-3. Immersion Sn/Pb on terminal.
 Terminal:Sn/Pb plating,90/10, 5 μ m (200 μ inches) min
 Base nickel 0.625 μ m (25 μ inches) min. (for pin GW type)
 2. Coplanarity deviation: 0.004 inches max.

TOLERANCE .X \pm 0.15
 .XX \pm 0.10
 .XXX \pm 0.05

UNIT m/m

SCALE 3.5 : 1

REV 7