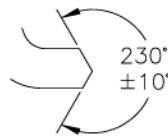
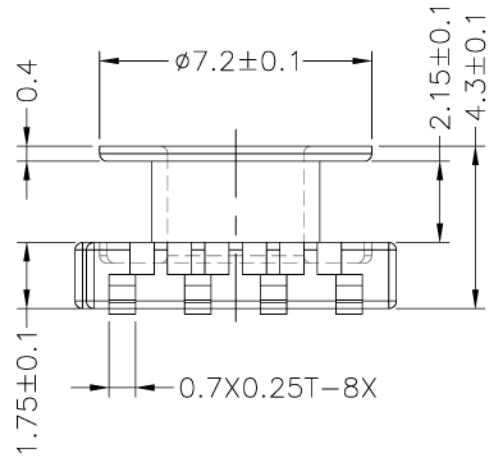
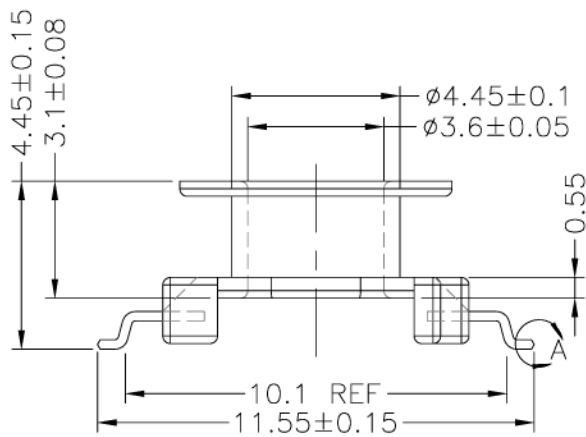
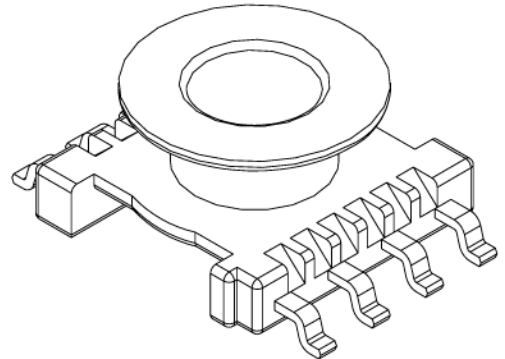
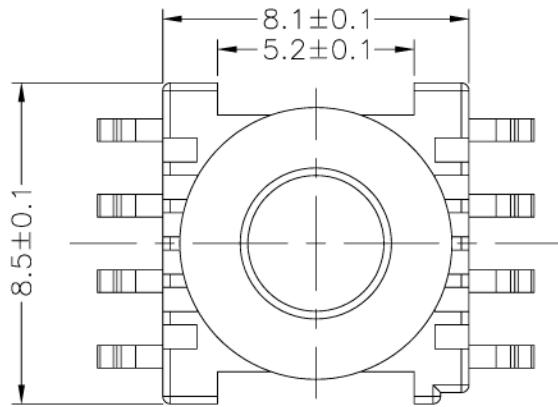


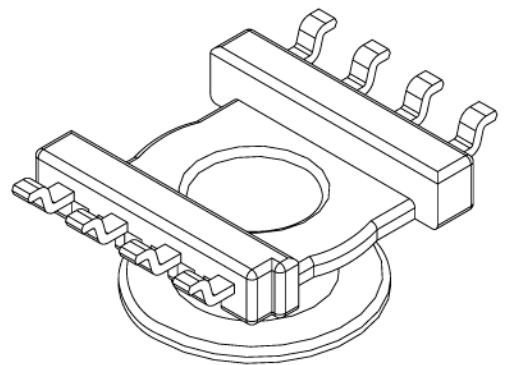
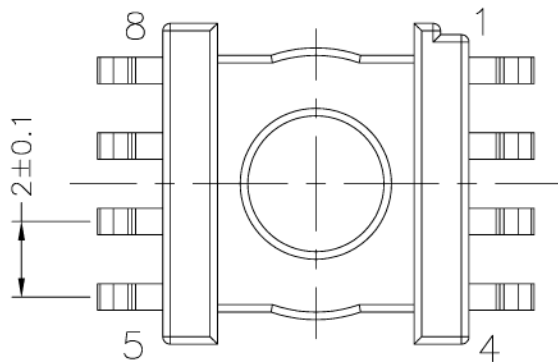
LEPCOS (North-West Laboratory)
<http://ferrite.ru> Tel/fax +7-812-369-11-54
 St-Petesburg, Russia

REVISIONS

REV	SYM	DRAFTER	CHECKER	DATE
1		S.Y.TANG	W.H.HSU	08/24/07
2				
3				



DETAIL:A
 PATENTED



DWG NO. ER9.5/5 1sec 8 pin E-008

PART NO.	MATERIAL (BOBBIN)	MATERIAL (TERMINAL)	TERMINAL (PLATING)	PIN ALLOCATION	NOTE
E-008	PM-9630JT	P.B	Sn	ALL PIN	
E-008v1	PM-9630JT	P.B	Sn	CUT PIN # 2,3,6,7	

TOLERANCE: .X±0.15 .XX±0.10 .XXX±0.05 UNIT : m / m SCALE 5 : 1

Finish: 1. Pb wire Immersion Sn on terminal : Thickness:Sn plating,100,5 μm (200 μ inches) min,Base nickel 0.625 μm (25 μ inches) min.
 2. CP wire Immersion Sn on terminal : Thickness:Sn plating,100,5 μm (200 μ inches) min.
 3. Coplanarity deviation: 0.10 mm (0.004 inches) max.

REV 1