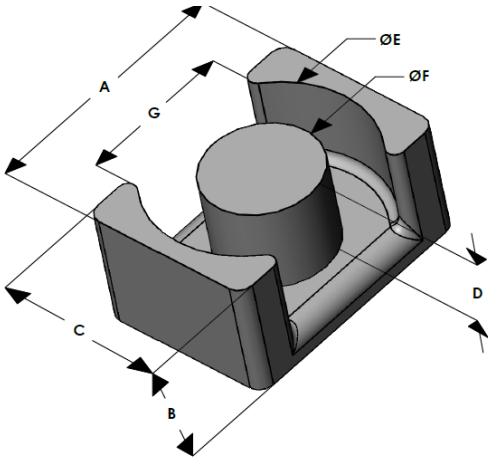




EQX2619E060L070

110 Delta Drive
 Pittsburgh, PA 15238
 NAFTA Sales: (1)800-245-3984
 HK Sales : (852)3102-9337
 magnetics@spang.com
 www.mag-inc.com



XFlux Permeability (μ)	A_L (nH/T ²)	Core Marking	
		Lot Number	Part number
60	213 \pm 8%	XXXXXX	EQX2619E060L070

	Dimensions		Tolerance (\pm)			Packaging
	(mm)	(in)	(mm)	(in)		
A	26.50	1.043	0.30	0.012		250 pieces
B	7.00	0.276	0.15	0.006		
C	19.00	0.748	0.20	0.008		
D	3.70	0.146	0.15	0.006		Available Hardware
E	22.60	0.890	0.30	0.012		
F	12.00	0.472	0.20	0.008		
G	15.00	0.591	-	-	Min	

Electrical Characteristics			Physical Characteristics					
Watt Loss @ 100 kHz, 100mT max (mW/cm ³)	DC Bias min (A·T/cm)		Break Strength min (kg)	Window Area W_A (mm ²)	Cross Section A_e (mm ²)	Path Length L_e (mm)	Volume V_e (mm ³)	Weight (Ea. Piece) (g)
1200	80%	50%	22.3	36.6	119.8	42.3	5,070	16.5
	75.5	135						

Notes:	Temperature Rating
	Curie Temp: 700°C

