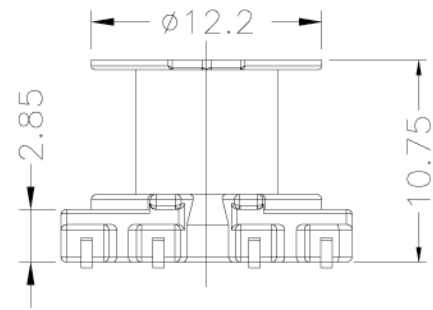
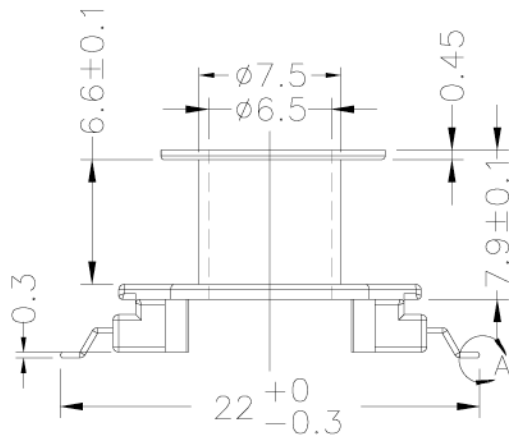
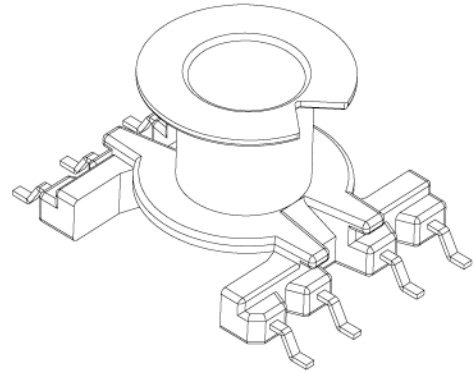
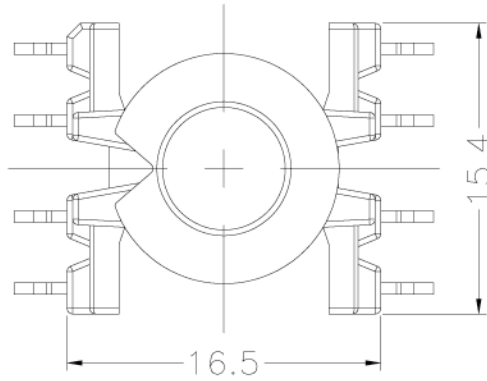
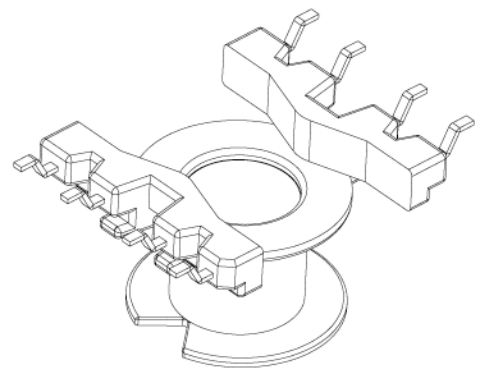
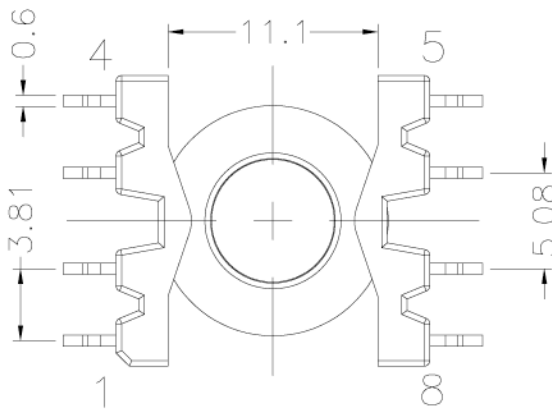


**LEPCOS (North-West Laboratory)**  
<http://ferrite.ru> Tel/fax +7-812-369-11-54

REVISIONS				
REV	SYM	DRAFTER	CHECKER	DATE
△4		T.S.LII	W.H.HSU	08/15/03
△5		T.S.LII	W.H.HSU	09/26/05
△6		T.S.LII	W.H.HSU	07/25/06



DETAIL:A  
 PATENTED



DWG NO. **Bobbin RM6 1sec 8 pin SMD A-022**

PART NO.	MATERIAL (BOBBIN)	MATERIAL (TERMINAL)	TERMINAL (PLATING)	PIN ALLOCATION	NOTE
A-022	PM-9630	P.B	△6 Sn	ALL PIN	

TOLERANCE: .X±0.15 .XX±0.10 .XXX±0.05 UNIT : m/m SCALE 3:1

Finish: 1. Immersion gold on terminal : Thickness gold 0.075 μm (3 μ inches) min, Base nickel 0.625 μm (25 μ inches) min.  
 2. Immersion Sn on terminal : Terminal:Sn plating, 100, 5 μm (200 μ inches) min , Base nickel 0.625 μm (25 μ inches) min.  
 3. Coplanarity deviation: 0.10 mm (0.004 inches) max.

REV 6