



c

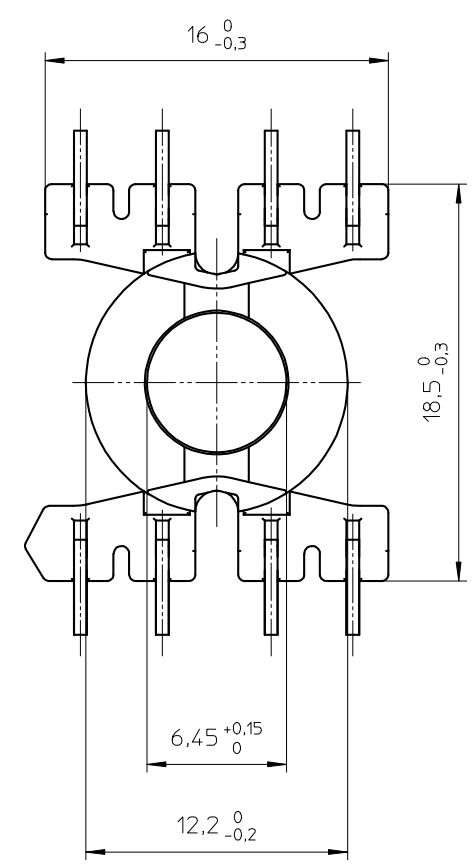
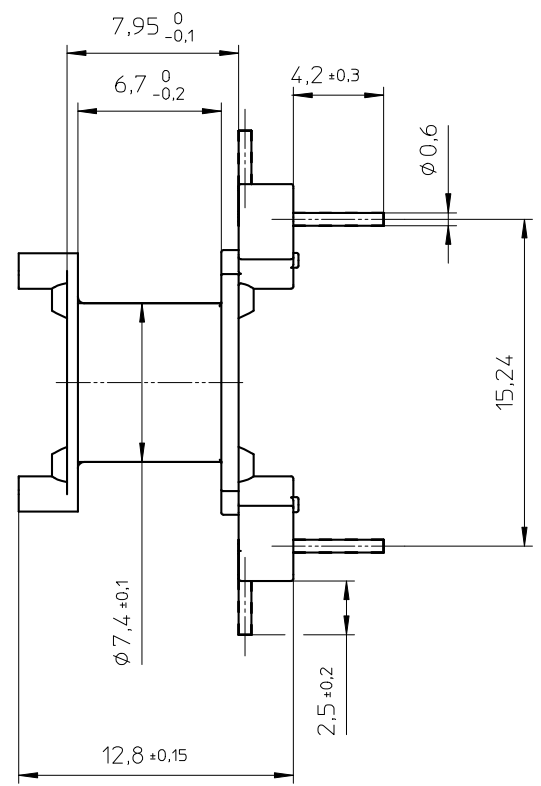
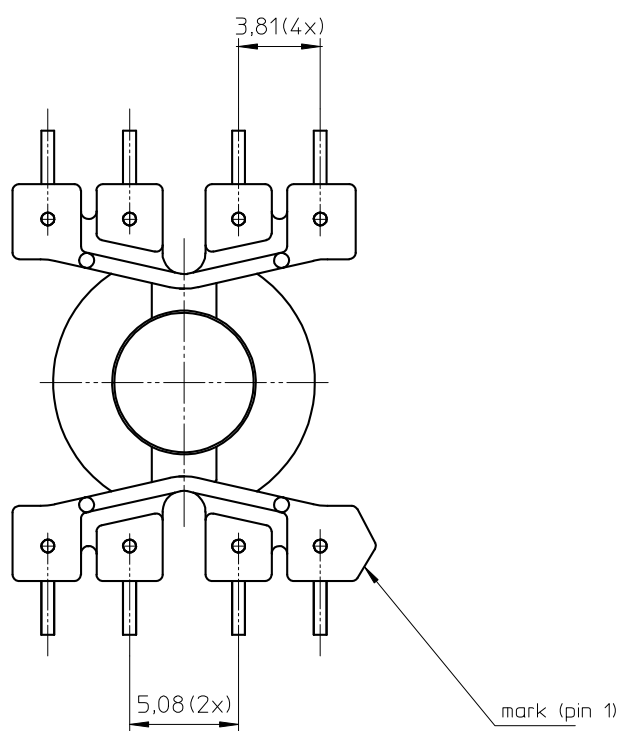


d

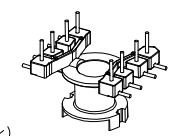
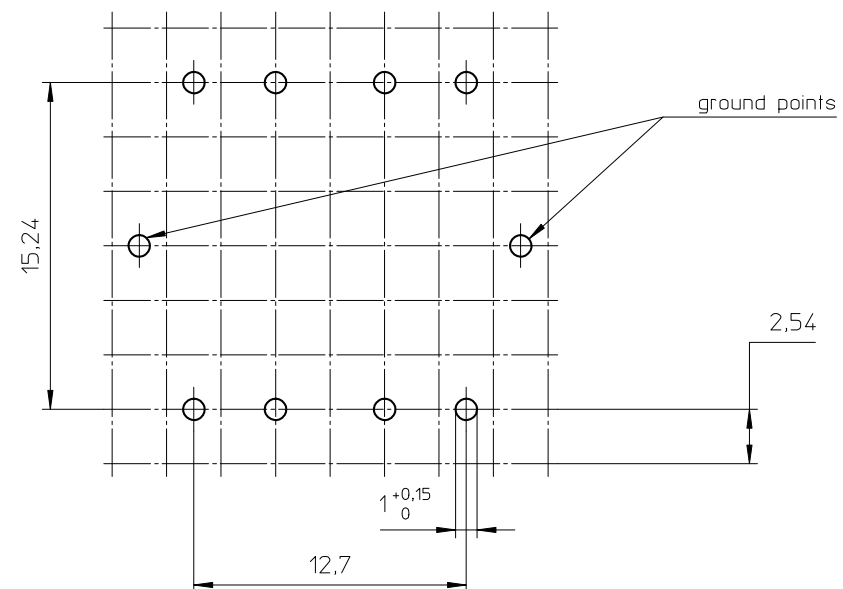


e

f



PROPOSED
HOLE PATTERN :



Coil former material: Rynite FR 530 (PET), glass-reinforced (black).
 UL file number: E41938 - UL94V-0.
 Pin material: Copper-plated steel wire - Sn plated.
 Max. operating temp.: acc. to IEC 60 085 class F, 155°C.
 Resistance to soldering heat: acc. to IEC 60 068-2-20 Part 2, Test Tb, method 1B, 350°C-3.5s
 Solderability: acc. to IEC 60 068-2-20 Part 2, Test Ta, method 1, 235°C-2s
 Min. winding area: 15 mm².
 Mean length of turn: 30,8 mm.

CLASSNO.		CPV-RM6S/I-1S-8PD-TZ		4322 021 06641		2007-01-25		2007-02-06	
NAME NAAM	A. Woitasz	SUPERS. VERV.		001	SPSH BL	112 - 001	010	A3	
MPA	CHECK CONTR.	DAT.	2007-01-25	Property of Eigendom van		© FERROXCUBE 2000			