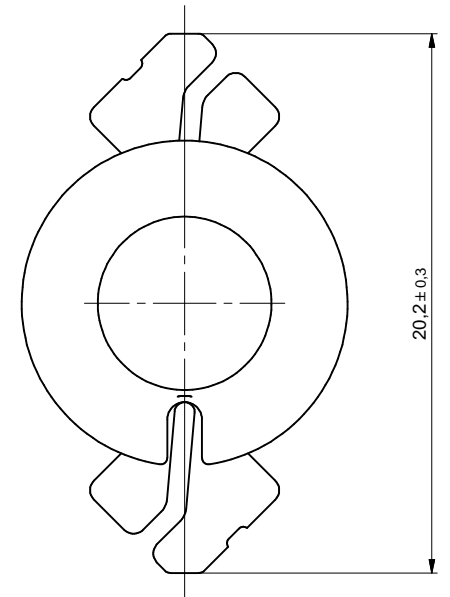
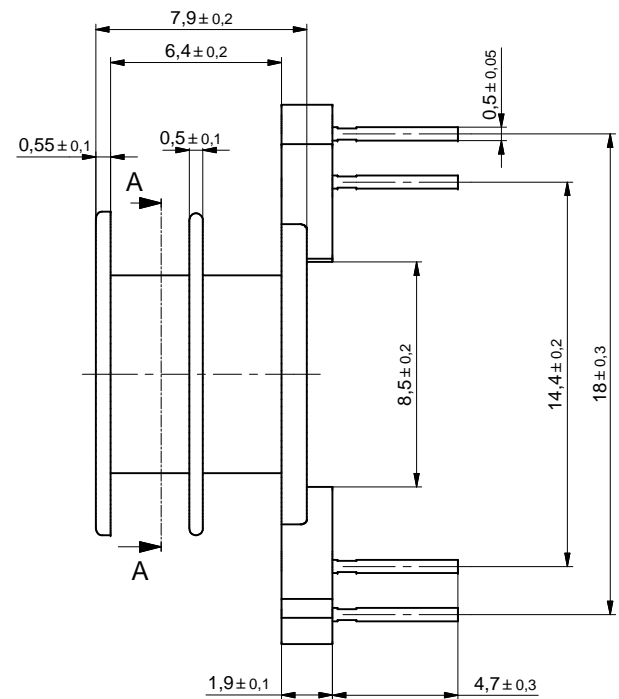
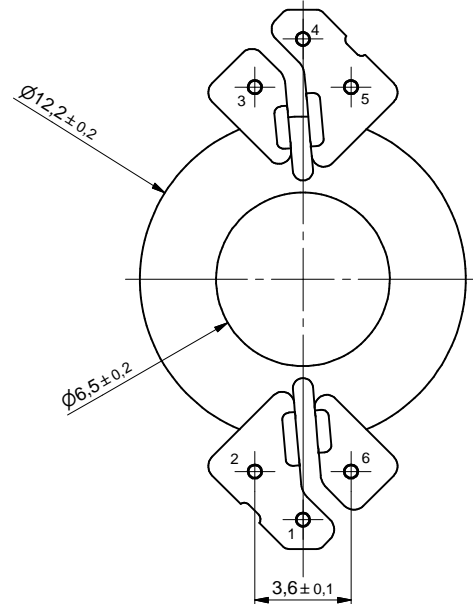
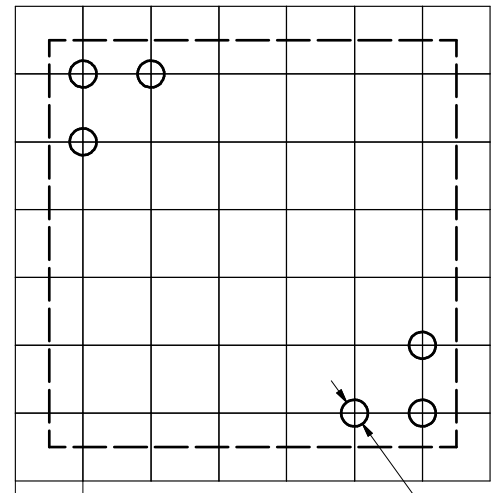


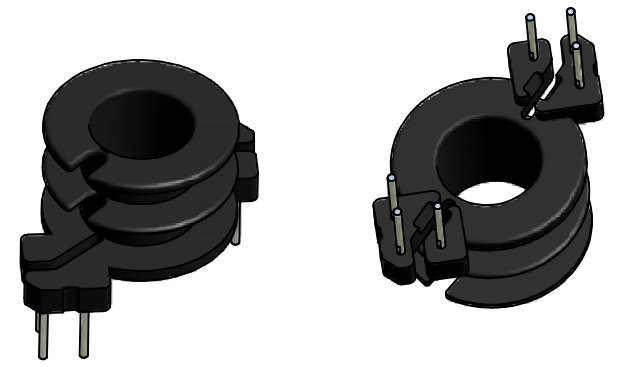
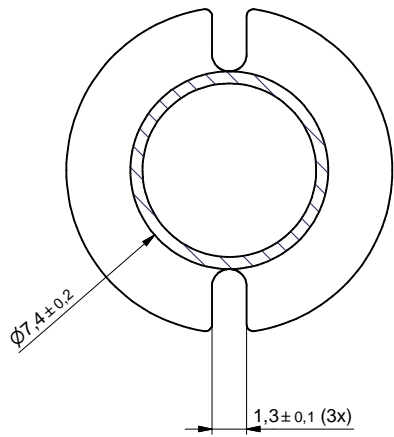
1 2 3 4 5 6 7 8



HOLE PATTERN:



A-A (5:1)



Coil former material: Sumikon PM9630 (PF), glass-reinforced.
UL file number: E41429 - UL94V-0
Pin material: Copper-plated steel wire, Sn plated.
Max operatin tem.: acc. to IEC 60 085 class H, 180°C
Resistance to soldering heat: acc. to IEC 60 068-2-20 Part2. Test Tb. method 1B, 350°C-3.5 s.
Solderability: acc. to IEC 60 068-2-20 Part2. Test Ta. method 1, 235 °C-2 s.

2,54 $\varnothing \varnothing 0.1$

CLASS NO.			5
			4
			3
			2
			1
NAME M. Marszalek SUPERS.		001	SH BL
		112 - 001	SH BL
DATE:	Property of	FERROXCUBE Polska Sp. z o.o.	010
			A3

CSV-RM6S/R-2S-6P-C

432202107581

19-12-2016
10-04-2015