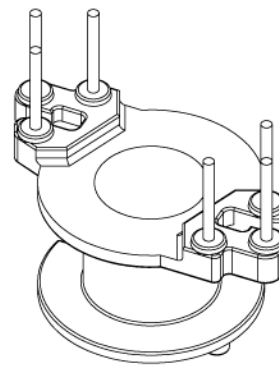
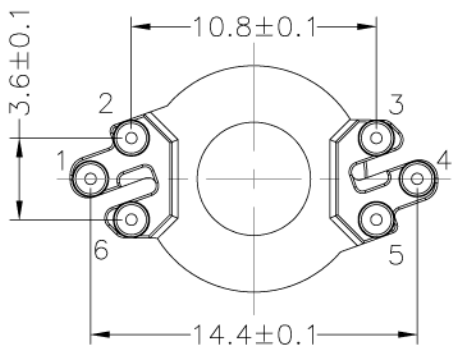
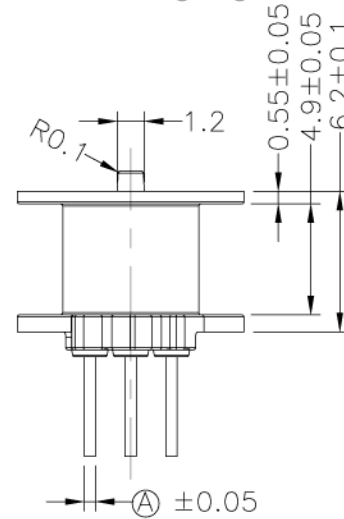
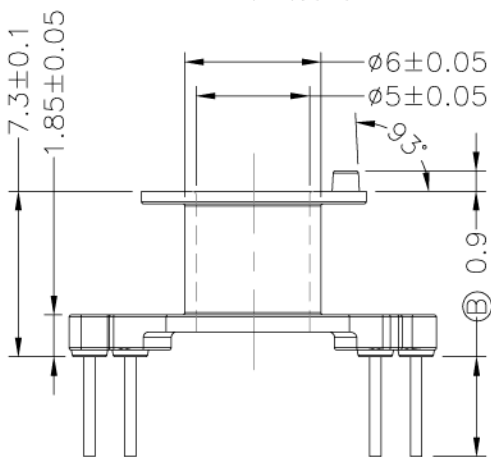
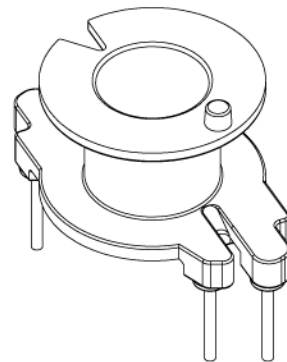
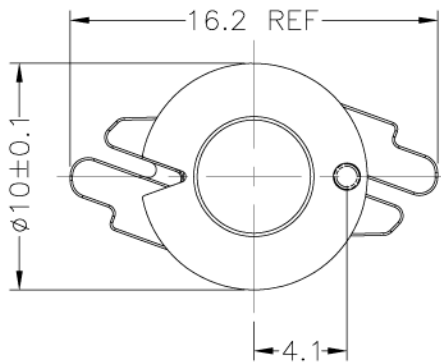


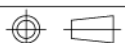
LEPCOS (North-West Laboratory)
 http://ferrite.ru Tel/fax +7-812-369-11-54
 St-Petesburg, Russia

| REVISIONS | | | | |
|-----------|-----|----------|----------|----------|
| REV | SYM | DRAFTER | CHECKER | DATE |
| 9 | | Y.G.HSU | W.H.HSU | 02/07/07 |
| 10 | | S.Y.TANG | W.H.HSU | 04/19/07 |
| 11 | | S.Y.TANG | G.F.YANG | 11/15/07 |



DWG NO. Bobbin RM5 1 sec 6 pin E-043

| PART NO. | MATERIAL (BOBBIN) | MATERIAL (TERMINAL) | TERMINAL (PLATING) | PIN ALLOCATION | NOTE |
|----------|-------------------|---------------------|--------------------|---------------------------------------------------|------|
| E-043 | PM-9630 | C.P WIRE | Sn | ALL PIN (A)= $\varnothing 0.5$ (B)= 4.4 ± 0.3 | |



TOLERANCE: .X ± 0.15 .XX ± 0.10 .XXX ± 0.05

UNIT : m / m

SCALE 3.5 : 1

Finish: 1. Pb wire Immersion Sn on terminal : Thickness:Sn plating,100,5 μ m (200 μ inches) min,Base nickel 0.625 μ m (25 μ inches) min.
 2. CP wire Immersion Sn on terminal : Thickness:Sn plating,100,5 μ m (200 μ inches) min.
 3. Coplanarity deviation: 0.10 mm (0.004 inches) max.

REV 11