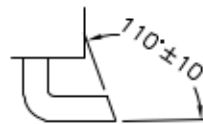
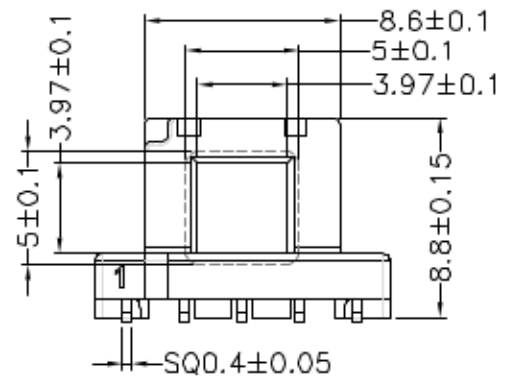
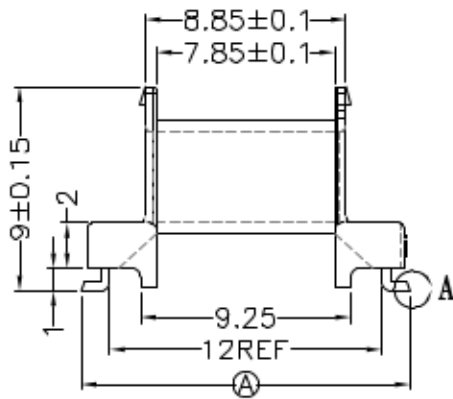
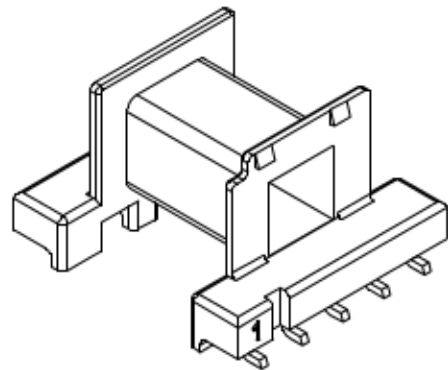
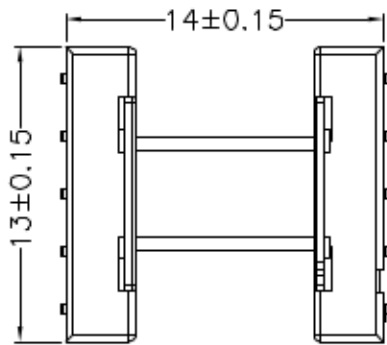


LEPCOS (North-West Laboratory)

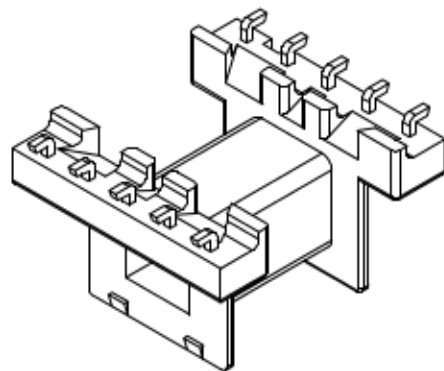
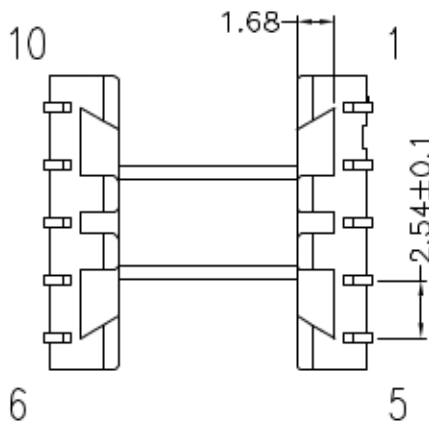
http://ferrite.ru Tel/fax +7-812-369-11-54
St-Petersburg, Russia

REVISIONS

REV	SYM	DRAFTER	CHECKER	DATE
△		T.S.LII	W.H.HSU	06/28/05



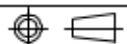
DETAIL : A
(PATENTED)



DWG NO. EF12.6-10P-L-2.54-D-1

PART NO.	MATERIAL (BOBBIN)	MATERIAL (TERMINAL)	TERMINAL (PLATING)	PIN ALLOCATION	NOTE.
----------	-------------------	---------------------	--------------------	----------------	-------

△ TBI-105-01041.103	PM-9630	P.B	△ Sn	ALL PIN (A)=14.5±0.15	



TOLERANCE: .X±0.15 .XX±0.10 .XXX±0.05

UNIT : m/m

SCALE 3:1

Finish: 1. Pb wire Immersion Sn on terminal : Thickness:Sn plating,100,5 μm (200 μ inches) min,Base nickel 0.625 μm (25 μ inches) min.
2. CP wire Immersion Sn on terminal : Thickness:Sn plating,100,5 μm (200 μ inches) min.
3. Coplanarity deviation: 0.10 mm (0.004 inches) max.

REV 8