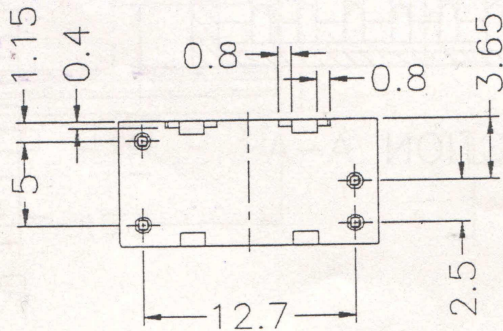


SECTION A-A



| | | | | | | |
|---|----------------|-------------|---------------------|---------------------------------------|-----------------|-----|
| FILE NAME | A-120 | TOLERANCE: | | DECIMAL .X ± 0.3 .XX ± 0.2 | CHECK | 許文豪 |
| MODEL NAME | T12.5/4-PIN | WHOLE | PIN PITCH ± 0.1 | | DRAWING | 詹儒杰 |
| DRAWING TITLE | RING CORE CASE | SHEET OF | | REV. | A | |
| LEPCOS (North-West Laboratory) | UNIT | m/m | CASE MATERIAL | | PPS | |
| http://ferrite.ru | SCALE | | TERMINAL MATERIAL | | PHOSPHOR BRONZE | |
| Tel/fax +7-812-369-11-54 | SPECIFICATION | 4 PINS CASE | | DATE | 2000.04.18 | |