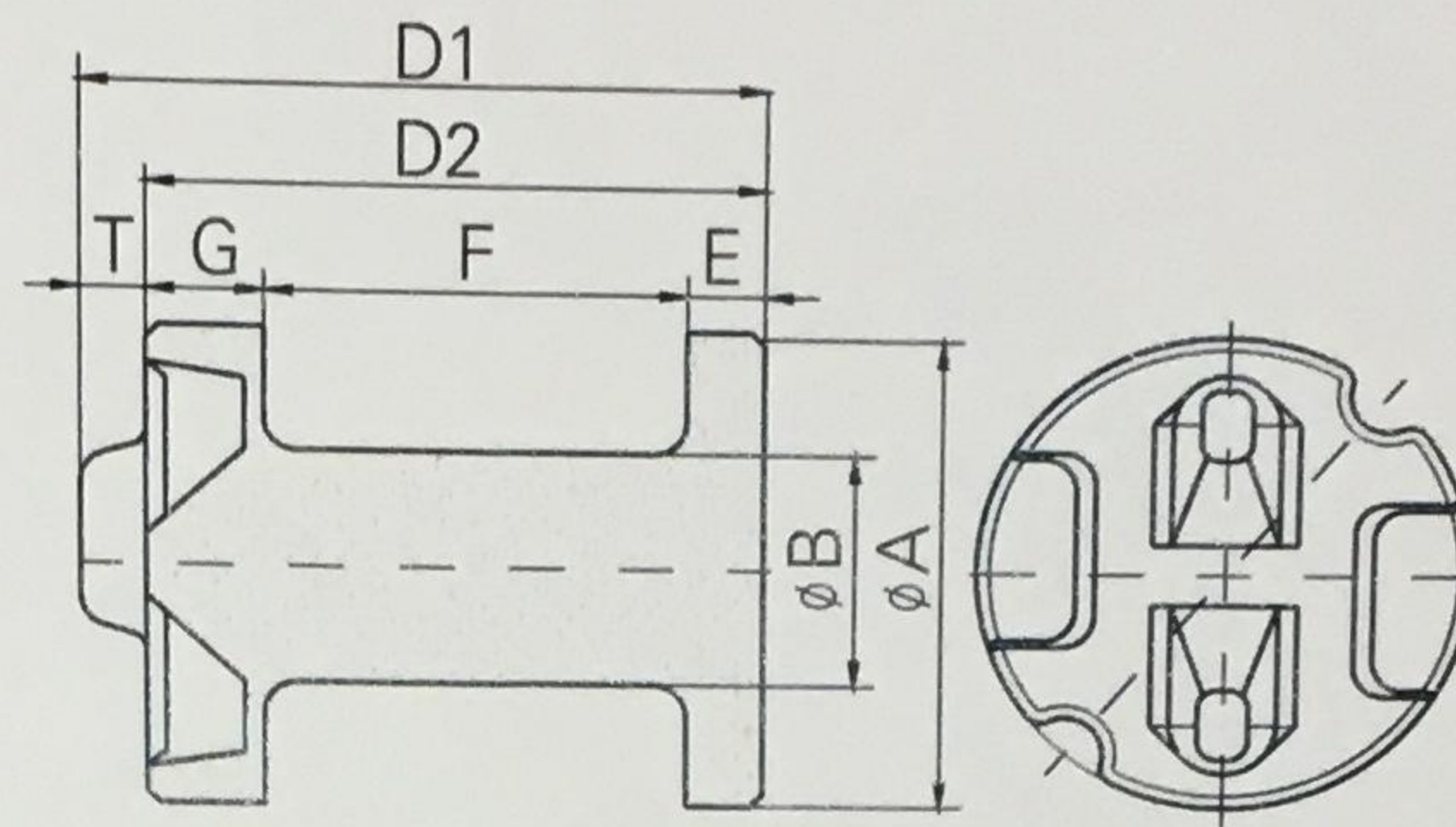
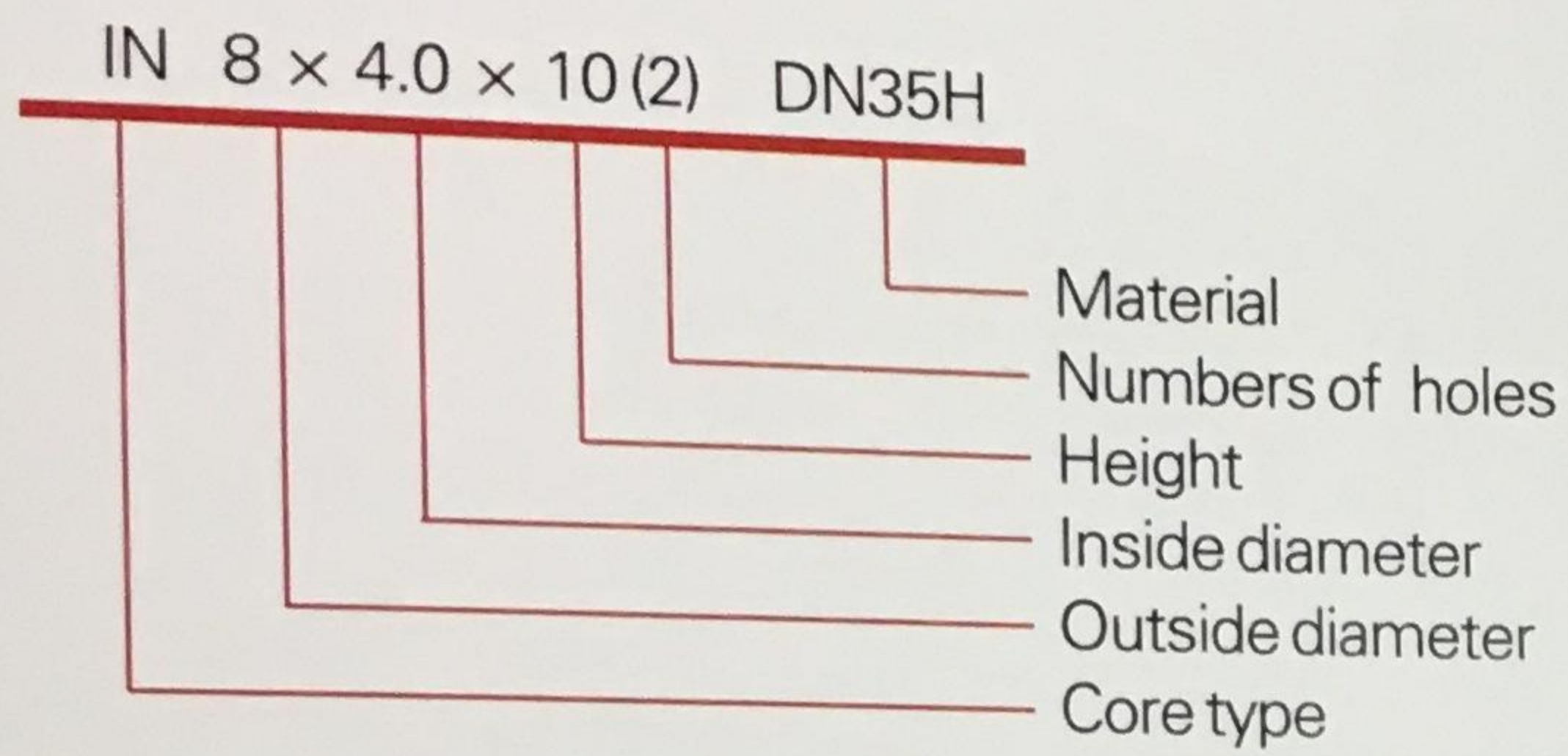


I Cores (IN)

ORDERING CODE SYSTEM



Material: DN35H DN65H DN80H DN100H DN30B DN40B DN50B

Part number	Dimensions(mm)							
	ϕA	ϕB	D1	D2	E	F	G	T
IN4.5 × 2.0 × 6.35(2)	4.5 ± 0.15	2 ± 0.15	6.35 ± 0.15		0.95 ± 0.1	3.3 ± 0.15	1.4 ± 0.1	0.7 ± 0.1
IN4.5 × 2.0 × 7.0(2)	4.5 ± 0.15	2 ± 0.15	7.0 ± 0.15		1.0 ± 0.1	3.9 ± 0.15	1.4ref	0.7 ± 0.1
IN7.8 × 3.8 × 10.5A(2)	7.8 ± 0.2	3.8 ± 0.15	10.5 ± 0.2	9.3 ^{+0.4} ₋₀	1.2 ± 0.15	6.5 ± 0.15	1.8 ± 0.15	1.0 ± 0.1
IN8 × 4.0 × 10(2)	8.0 ± 0.2	4.0 ± 0.15	10.0 ± 0.3		1.5 ± 0.15	5.5 ± 0.15	1.8 ± 0.15	1.2ref
IN8 × 4.5 × 11(2)	8 ± 0.2	4.5 ± 0.15	11.0 ± 0.3		1.5 ± 0.15	6.5 ± 0.15	1.8 ± 0.15	1.2ref
IN10 × 5.3 × 14(2)	10 ± 0.2	5.3 ± 0.2	14 ± 0.3		2.8 ± 0.15	7.1 ± 0.15	2.8 ± 0.15	1.3 ± 0.1
IN12 × 6.5 × 16(2)	12 ± 0.2	6.5 ± 0.2	16 ± 0.3		2.0 ± 0.2	10 ± 0.3	2.0 ± 0.1	2.0ref

REMARK: OTHER SIZE ARE AVAILABLE UPON REQUEST