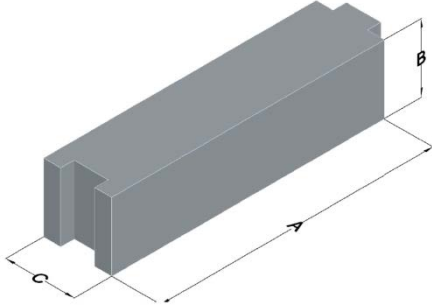




# 00K133IS026

110 Delta Drive  
 Pittsburgh, PA 15238  
 NAFTA Sales: (1)800-245-3984  
 HK Sales : (852)3102-9337  
 magnetics@spang.com  
 www.mag-inc.com



Kool M $\mu$ Permeability ( $\mu$ )	Core Marking	
	Lot Number	Part number
26	XXXXXX	K133IS026

	Dimensions				Packaging
	(mm)	(in)	(mm)	(in)	
<b>A</b>	76.20	3.00	Nom.	Nom.	Cardboard cut-outs Box Qty= 54
<b>B</b>	25.4	1.000	Nom.	Nom.	
<b>C</b>	27.2	1.071	Nom.	Nom.	

Physical Characteristics		Temperature Rating	Note:
Volume V <sub>e</sub> (mm <sup>3</sup> )	Weight (g)	Curie Temp: 500°C	
51,000	315		