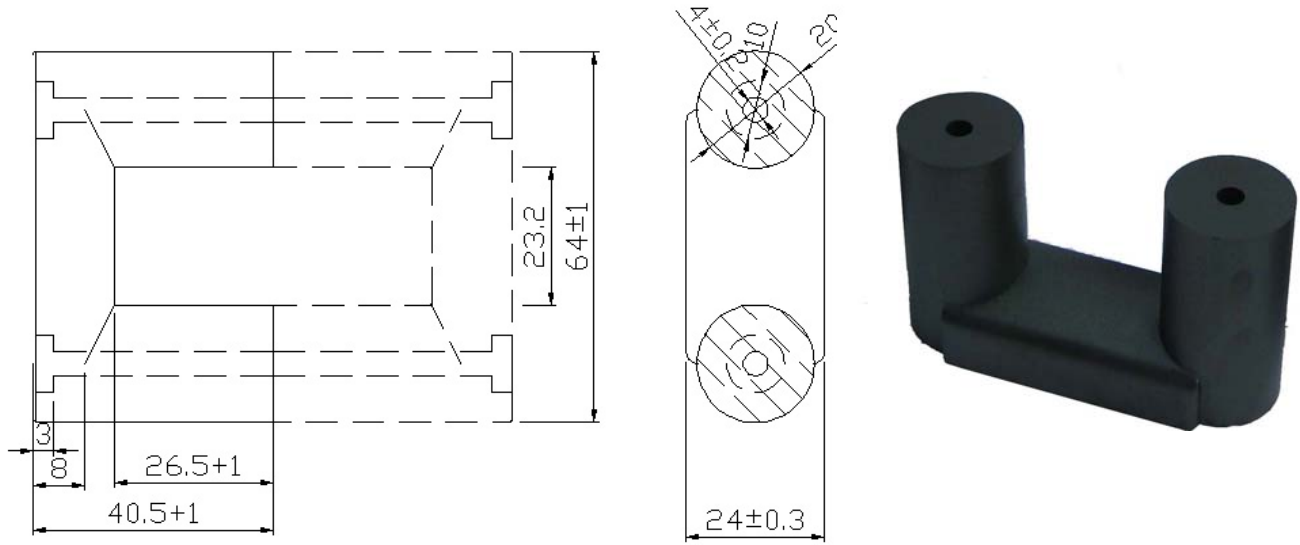
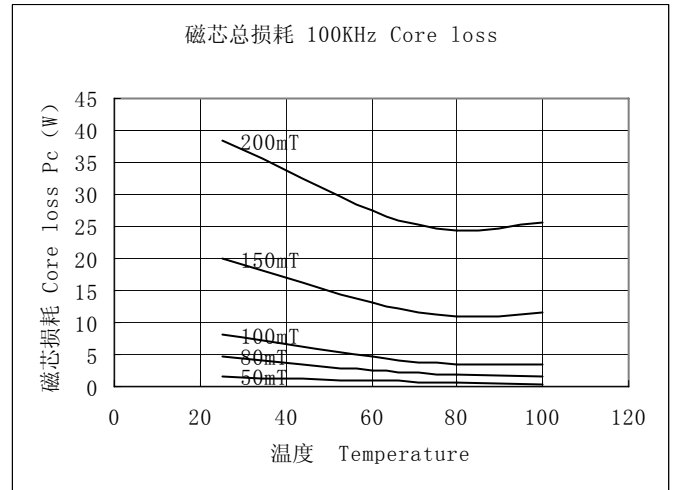
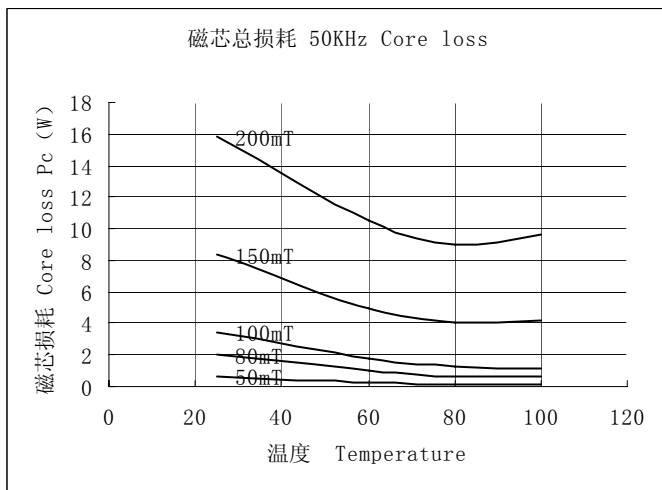


UY20



| Parameter(参数) | Symbol (标示) | Value (数据) | Unit (单位) |
|------------------------------|-------------|-----------------|-------------------|
| Core constant(磁芯常数) | C1 | 0.724 | mm ⁻¹ |
| Effective path length (有效长度) | Le | 210 | mm |
| Effective area (有效截面积) | Ae | 290 | mm ² |
| Effective volume (有效体积) | Ve | 61000 | mm ³ |
| Inductance factor(电感因数) | AL | 3750 | nH/N ² |
| Weight of set (重量) | W | 280 | g |
| Other name (其他名称) | | UR64 UR64/40/20 | |
| Product code (产品编码) | S/N | S/N:P03410010 | |



| Circuit Type(电路类型) | Calculated Output Power (最大可能输出功率) | | | | Unit(单位):W |
|----------------------------|------------------------------------|-------|--------|--------|------------|
| | Switching Frequency(工作频率) | | | | |
| | 20KHz | 50KHz | 100KHz | 250KHz | |
| Push-pull converter(推挽式电路) | 2300 | 3700 | 5100 | 10100 | |
| Flyback converter(反激,回扫电路) | 700 | 1200 | 1700 | 3300 | |
| Forward converter(正激,拓扑电路) | 1100 | 1800 | 2500 | 5000 | |