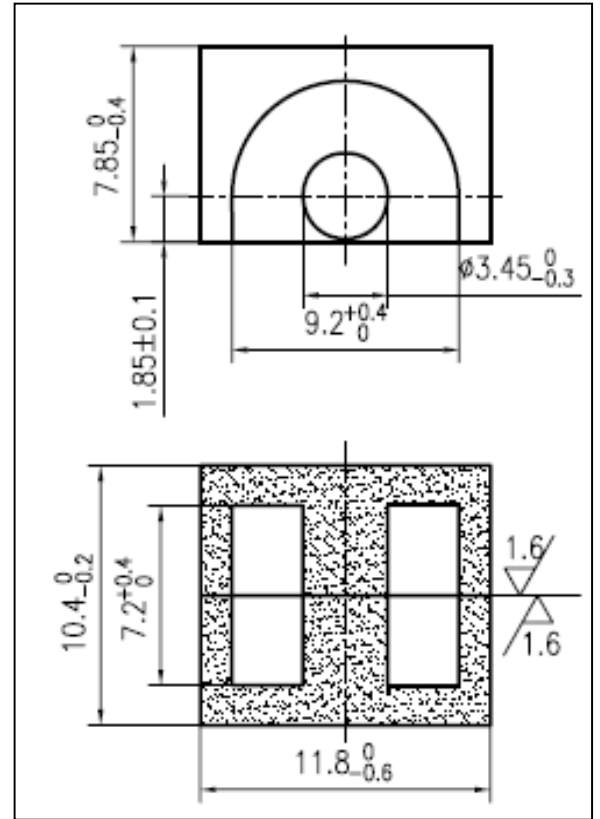


CORE SETS

Effective core parameters

SYMBOL	PARAMETER	VALUE	UNIT
$\Sigma (1/A)$	core factor (C_1)	1.70	mm^{-1}
V_e	effective volume	216.96	mm^3
l_e	effective length	19.20	mm
A_e	effective area	11.30	mm^2
A_{min}	minimum area	8.55	mm^2
W_t	mass of core set	≈ 2.8	g



Characteristic

GRADE	AL (nH/N^2)	B (mT)	CORE LOSS (W)
	f=10kHz U=0.25V	H=250A/m f=25kHz T=100°C	f=100kHz B=200mT T=100°C
DMR24	$800 \pm 25\%$	≥ 325	≤ 0.18
DMR40	$1100 \pm 25\%$	≥ 315	≤ 0.20
DMR44	$1100 \pm 25\%$	≥ 315	≤ 0.16

GRADE	AL (nH/N^2)	B (mT)	CORE LOSS (W)
	f=10kHz U=0.25V	H=250A/m f=25kHz T=100°C	f=500kHz B=50mT T=100°C
DMR55	$850 \pm 25\%$	≥ 300	≤ 0.065

GRADE	AL (nH/N^2)	μ_i
	f=10kHz U=0.25V	f=10kHz U=0.25V
R4K	$1800 \pm 25\%$	≈ 4300
R5K	$2000 \pm 25\%$	≈ 5000
R7K	$2500 \pm 25\%$	≈ 7000
R10K	$3000 \pm 25\%$	≈ 10000
R12K	4800 min (mirror)	≈ 12000