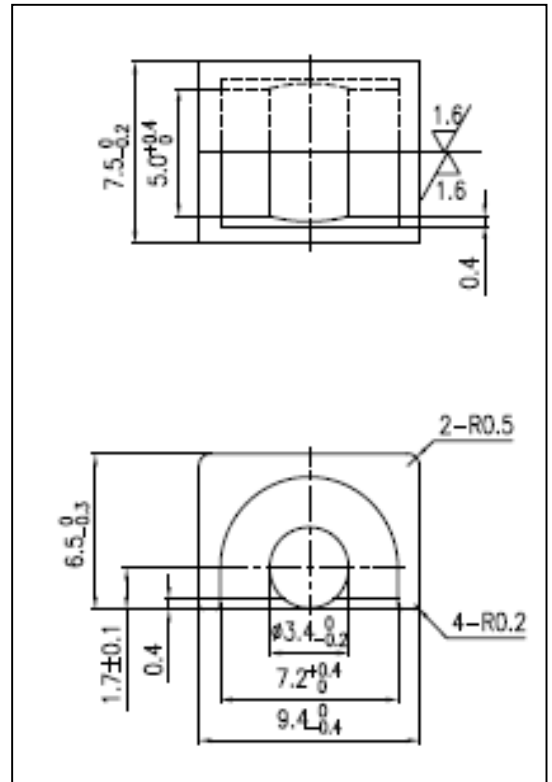


CORE SETS

Effective core parameters

SYMBOL	PARAMETER	VALUE	UNIT
$\Sigma (1/A)$	core factor (C_1)	1.45	mm^{-1}
V_e	effective volume	165.85	mm^3
l_e	effective length	15.50	mm
A_e	effective area	10.70	mm^2
A_{min}	minimum area	8.55	mm^2
W_t	mass of core set	≈ 1.4	g



Characteristic

GRADE	AL (nH/N^2)	B (mT)	CORE LOSS (W)
	f=10kHz U=0.25V	H=250A/m f=25kHz T=100°C	f=100kHz B=200mT T=100°C
DMR40	$1200 \pm 25\%$	—	—
DMR44	$1200 \pm 25\%$	—	—
DMR95	$1300 \pm 25\%$	—	—

GRADE	AL (nH/N^2)	B (mT)	CORE LOSS (W)
	f=10kHz U=0.25V	H=250A/m f=25kHz T=100°C	f=500kHz B=50mT T=100°C
DMR50B	550min	—	—
DMR55	$780 \pm 25\%$	—	—

GRADE	AL (nH/N^2)	μ_i
	f=10kHz	f=10kHz
R5K	$2000 \pm 25\%$	≈ 5000
R7K	$2600 \pm 25\%$	≈ 7000
R10K	4000min (mirror)	≈ 10000