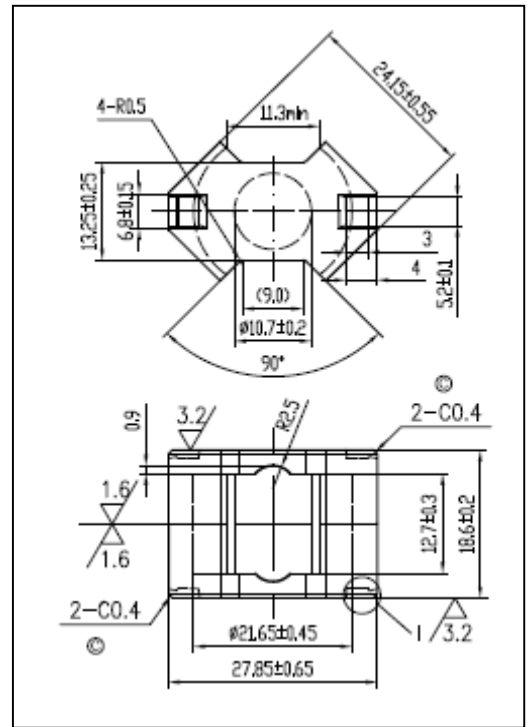


CORE SETS

Effective core parameters

| SYMBOL         | PARAMETER             | VALUE        | UNIT             |
|----------------|-----------------------|--------------|------------------|
| $\Sigma (1/A)$ | core factor ( $C_1$ ) | 0.45         | $\text{mm}^{-1}$ |
| $V_e$          | effective volume      | 4312.0       | $\text{mm}^3$    |
| $l_e$          | effective length      | 44.0         | mm               |
| $A_e$          | effective area        | 98.0         | $\text{mm}^2$    |
| $A_{\min}$     | minimum area          | 89.1         | $\text{mm}^2$    |
| $W_t$          | mass of core set      | $\approx 23$ | g                |



Characteristic

| GRADE | AL (nH/N <sup>2</sup> ) | B (mT)                         | CORE LOSS (W)                  |
|-------|-------------------------|--------------------------------|--------------------------------|
|       | f=10kHz<br>U=0.25V      | H=250A/m<br>f=25kHz<br>T=100°C | f=100kHz<br>B=200mT<br>T=100°C |
| DMR40 | 4500 ± 25%              | ≥315                           | ≤3.22                          |
| DMR44 | 4500 ± 25%              | ≥315                           | ≤2.76                          |
| DMR47 | 4600 ± 25%              | ≥325                           | ≤2.41                          |
| DMR90 | 4500 ± 25%              | ≥325                           | ≤2.50                          |
| DMR95 | 5200 ± 25%              | ≥315                           | ≤2.41                          |

| GRADE | AL (nH/N <sup>2</sup> ) | B (mT)                         | CORE LOSS (W)                 |
|-------|-------------------------|--------------------------------|-------------------------------|
|       | f=10kHz<br>U=0.25V      | H=250A/m<br>f=25kHz<br>T=100°C | f=500kHz<br>B=50mT<br>T=100°C |
| DMR55 | 4050 ± 25%              | ≥315                           | ≤1.43                         |

| GRADE | AL (nH/N <sup>2</sup> ) | $\mu_i$            |
|-------|-------------------------|--------------------|
|       | f=10kHz<br>U=0.25V      | f=10kHz<br>U=0.25V |
| R5K   | 7600 ± 25%              | ≈5000              |
| R7K   | 9800 ± 25%              | ≈7000              |
| R10K  | 16800 ± 25%             | ≈10000             |