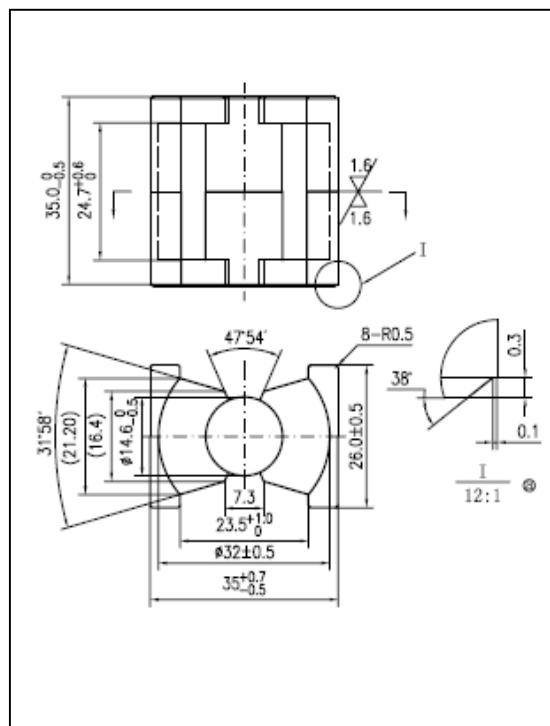


CORE SETS

Effective core parameters

| SYMBOL | PARAMETER | VALUE | UNIT |
|----------------|-----------------------|--------------|------------------|
| $\Sigma (1/A)$ | core factor (C_1) | 0.47 | mm^{-1} |
| V_e | effective volume | 13776.0 | mm^3 |
| l_e | effective length | 80.0 | mm |
| A_e | effective area | 172.2 | mm^2 |
| A_{\min} | minimum area | 164.7 | mm^2 |
| W_t | mass of core set | ≈ 73 | g |



Characteristic

| GRADE | AL (nH/N ²) | B (mT) | CORE LOSS (W) |
|-------|-------------------------|--------------------------------|--------------------------------|
| | f=10kHz U=0.25V | H=250A/m f=25kHz T=100°C | f=100kHz B=200mT T=100°C |
| DMR40 | 4860 ± 25% | ≥ 315 | ≤ 10.22 |
| DMR44 | 4860 ± 25% | ≥ 315 | ≤ 8.76 |
| DMR95 | 6000 ± 25% | ≥ 315 | ≤ 8.03 |