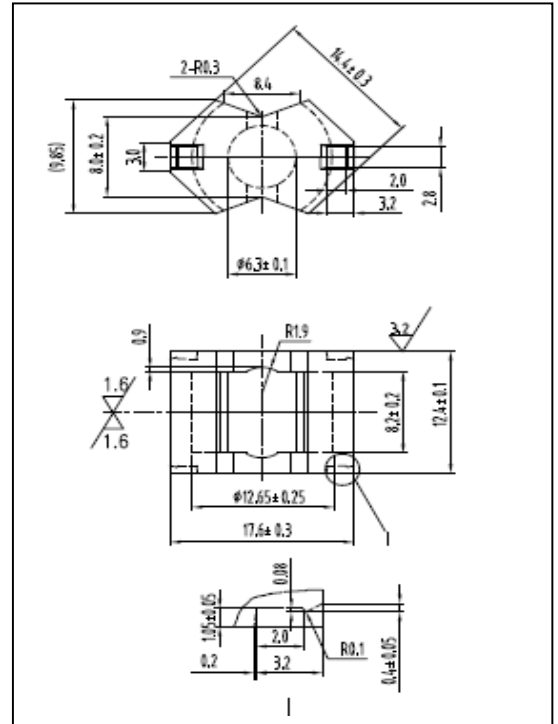


CORE SETS

Effective core parameters

SYMBOL	PARAMETER	VALUE	UNIT
$\Sigma (1/A)$	core factor (C_1)	0.78	mm^{-1}
V_e	effective volume	1046.76	mm^3
l_e	effective length	28.60	mm
A_e	effective area	36.60	mm^2
A_{min}	minimum area	31.20	mm^2
W_t	mass of core set	≈ 5.4	g



Characteristic

GRADE	AL (nH/N^2)	B (mT)	CORE LOSS (W)
	f=10kHz U=0.25V	H=250A/m f=25kHz T=100°C	f=100kHz B=200mT T=100°C
DMR40	2400 ± 25%	≥ 315	≤ 0.76
DMR44	2400 ± 25%	≥ 315	≤ 0.65
DMR47	2500 ± 25%	≥ 325	≤ 0.57
DMR90	2200 ± 25%	≥ 325	≤ 0.73
DMR95	2900 ± 25%	≥ 315	≤ 0.63

GRADE	AL (nH/N^2)	B (mT)	CORE LOSS (W)
	f=10kHz U=0.25V	H=250A/m f=25kHz T=100°C	f=500kHz B=50mT T=100°C
DMR50B	1600 ± 25%	≥ 300	≤ 0.28
DMR55	1900 ± 25%	≥ 300	≤ 0.34

GRADE	AL (nH/N^2)	μ_i
	f=10kHz U=0.25V	f=10kHz U=0.25V
R4K	4700 ± 25%	≈ 4300
R5K	5000 ± 25%	≈ 5000
R7K	6700 ± 25%	≈ 7000
R10K	≥ 6700 mirror	≈ 10000