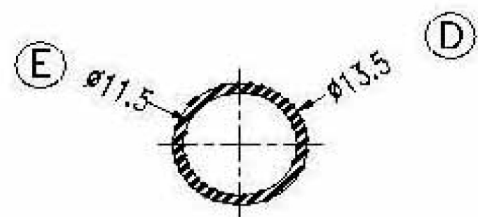
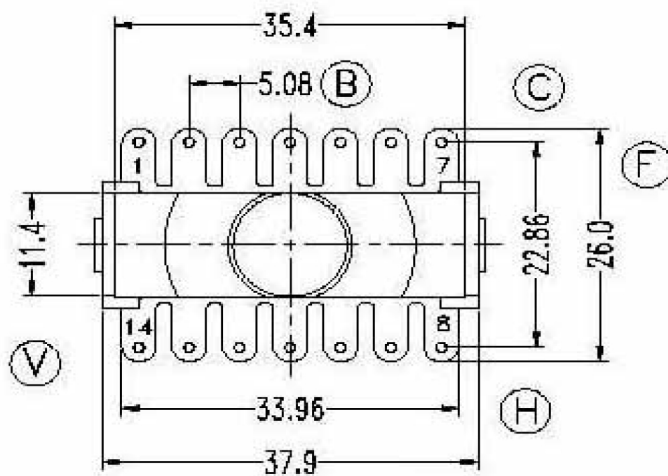
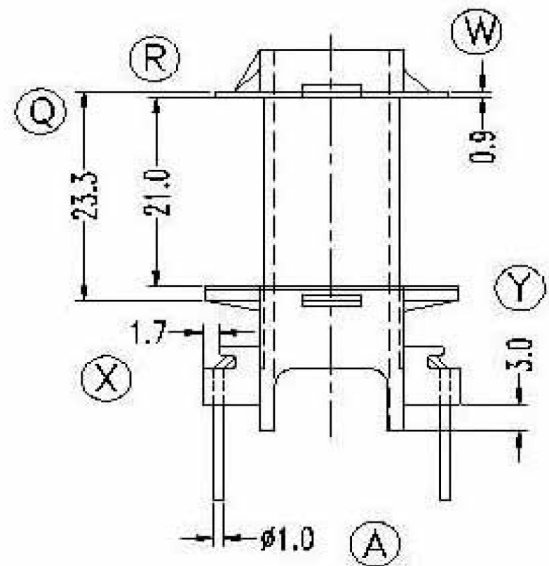
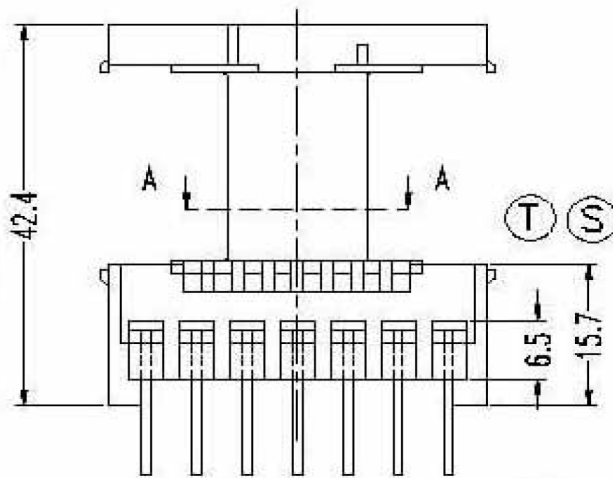
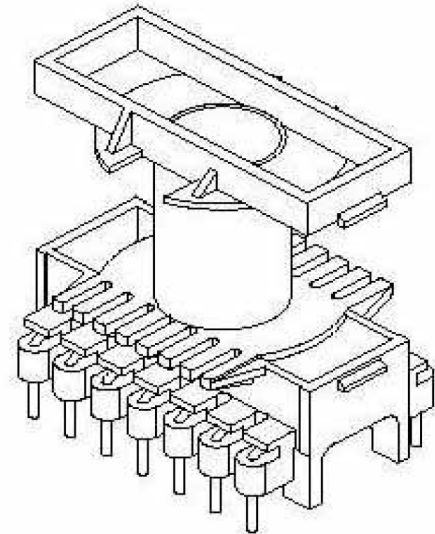
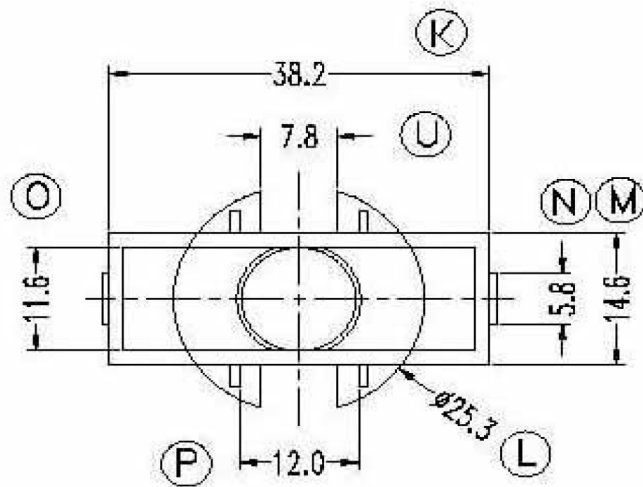


P/N

SR-ETD 3402



A-A SECTION

SR NO.

SR-ETD 3402

MATERIAL:

PET

UNIT: mm

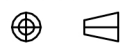
TOLERANCE

MODEL NAME:

ETD34-14P-1S V
with windows

UL REC: UL 94V-0

ANGLE: \pm °



SCALE 1:1

0 L ≤ 4 ±0.10

4 L ≤ 16 ±0.20

16 L ≤ 64 ±0.30

PIN PITCH ±0.50