



H cores

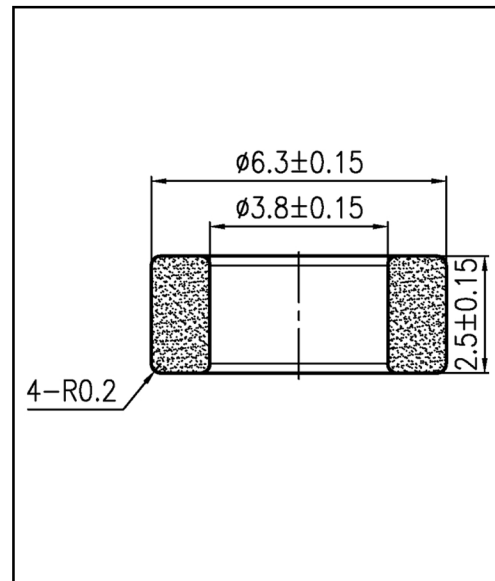
H6.3 x 3.8 x 2.5

На сердечник нанесено диэлектрическое покрытие серого цвета polyurene

CORE SETS

Effective core parameters

SYMBOL	PARAMETER	VALUE	UNIT
Ve	effective volume	46.5	mm ³
le	effective length	15.11	mm
Ae	effective area	3.05	mm ²
Wt	mass of core	≈0.2	g



Characteristic

GRADE	AL (nH/N ²)	B (mT)	CORE LOSS (W)
	f=10kHz U=0.25V	H=250A/m f=25kHz T=100°C	f=100kHz B=200mT T=100°C
DMR40	620 ± 25%	—	—
DMR44	620 ± 25%	—	—

GRADE	AL (nH/N ²)	B (mT)	CORE LOSS (W)
	f=10kHz U=0.25V	H=250A/m f=25kHz T=100°C	f=500kHz B=50mT T=100°C
DMR50B	456 ± 25%	—	—

GRADE	AL (nH/N ²)	μ i
	f=10kHz U=0.25V	f=10kHz U=0.25V
R5K	699 ± 25%	≈5000
R10K	2535 ± 30%	≈10000