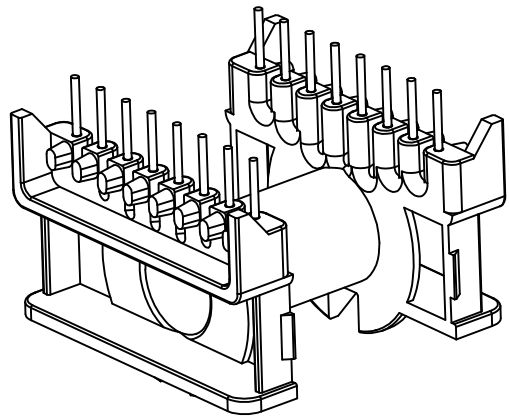
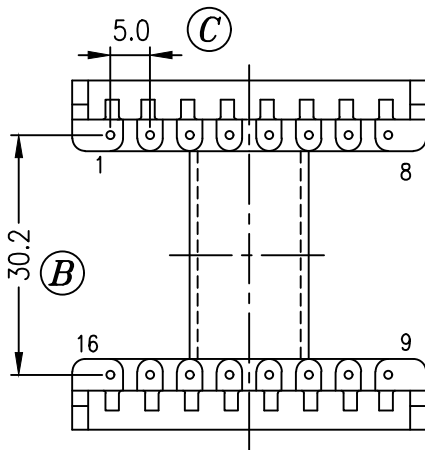
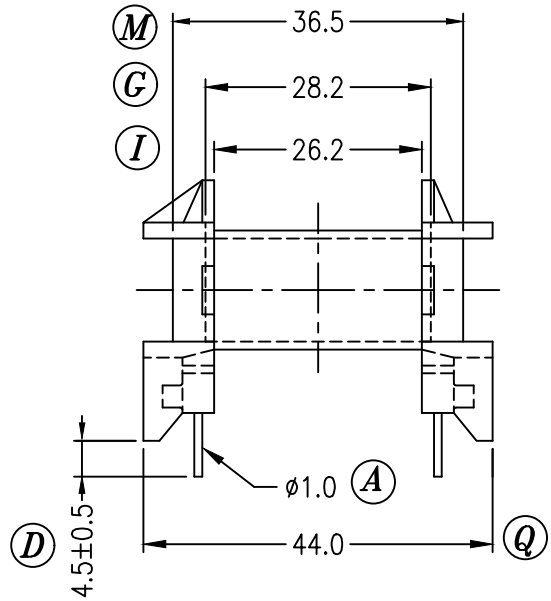
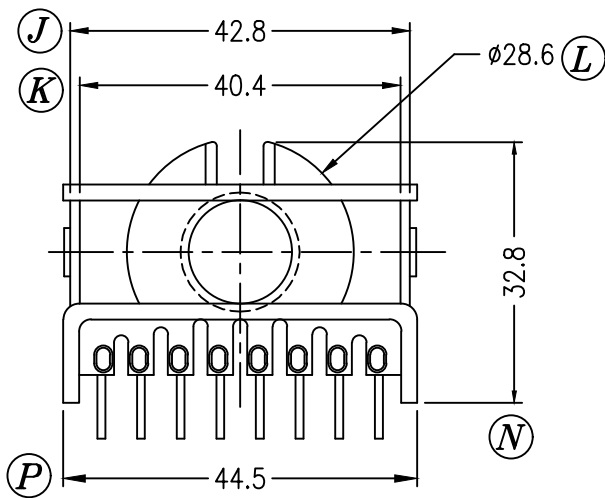


品翔Logo 模穴號 PIN標記



REV.	REVISIONS REC.	DATE	REV.	REVISIONS REC.	DATE
1	UPDATE THE DRAWING.	'06.05.10			
2	CANCEL (O); UPDATE THE DRAWING.				
3	按照實物更新刻字.	'19.11.28			

DRAWN & DRAFTED BY 黃金宇	TOLERANCES		ANGLE: $\pm 1^\circ$	TITLE: BOBBIN ETD-39H	
	0 < L ≤ 4 ± 0.1	pin pitch ± 0.2	UNIT: MM	BOBBIN MATERIAL: PHENOLIC (T375J)	UL REC. UL 94V-0
CHECKED & APPROVED BY	4 < L ≤ 16 ± 0.2		ORIGIN: DG	PIN MATERIAL: CP WIRE	PIN TENSION LOAD: 2.0kg MIN
PIN SHINE INDUSTRIAL CO., LTD. TEL: 886-2-22990545 FAX: 886-2-22990546			DATE: MAY.08 '2001	DRAWING NO. P-3903	REV. 3