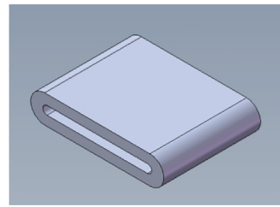
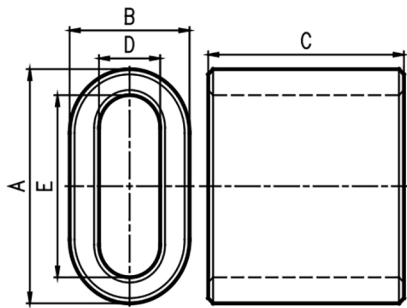


# TY cores

**TY 31 x 5 x 15 DN65H**



Part number	Dimensions (mm)				
	A	B	C	D	E
TY15.1x7.6x12.7A	15.1±0.3	7.6±0.2	12.7±0.2	1.4±0.2	8.0 <sup>+0.4</sup> <sub>-0.2</sub>
TY28x5x6	28±0.5	5±0.4	6±0.4	0.8 <sup>+0.4</sup> <sub>-0.2</sub>	24±0.5
TY28x5x9	28±0.4	5±0.3	9±0.3	0.8 <sup>+0.3</sup> <sub>-0.1</sub>	24±0.4
TY31x5x15	31±0.7	5±0.4	15±0.5	0.8±0.3	27±0.7
TY33.5x6.5x12	33.5±0.4	6.5±0.3	12±0.3	1.4±0.2	28.4±0.4
TY35x6.5x12	35±0.3	6.5±0.26	12±0.25	1.4±0.25	31±0.3
TY39x25x12.5A	39±0.7	25±0.5	12.5±0.25	6.2±0.4	20.2±0.4
TY47.35x8.5x7.5	47.35±1.0	8.5±0.4	7.5±0.5	1.9±0.3	40.75±0.75