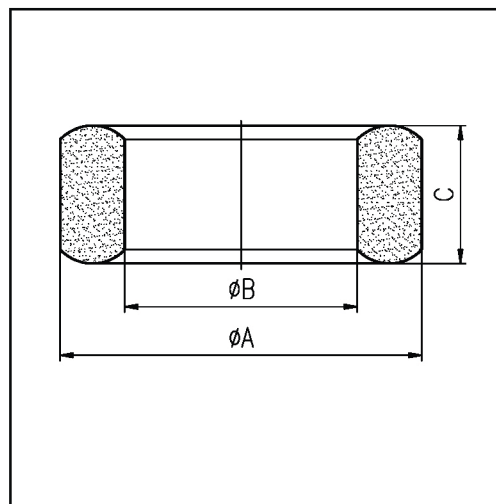


CORE SETS
Effective core parameters

SYMBOL	PARAMETER	VALUE	UNIT
$\Sigma (1/A)$	core factor (C_1)	3.28	mm^{-1}
V_e	effective volume	176.89	mm^3
l_e	effective length	24.10	mm
A_e	effective area	7.34	mm^2
W_t	mass of core	≈ 1.0	g



尺寸 Coat	A	B	C
Uncoat	10.0 ± 0.3	6.0 ± 0.3	4.0 ± 0.3
Coated	10.8max	5.3min	4.7max

Note: With grass green epoxy coating

Characteristic

GRADE	AL (nH/N ²)	B (mT)	CORE LOSS (W)
	f=10kHz U=0.25V	H=250A/m f=25kHz T=100°C	f=100kHz B=200mT T=100°C
DMR40	$940 \pm 25\%$	≥ 315	≤ 0.14
DMR44	$980 \pm 25\%$	≥ 315	≤ 0.11

GRADE	AL (nH/N ²)	μ_i
	f=10kHz U=0.25V	f=10kHz U=0.25V
R4K	$1700 \pm 25\%$	≈ 4300
R5K	$2040 \pm 25\%$	≈ 5000
R7K	$2860 \pm 25\%$	≈ 7000
R10K	$4080 \pm 30\%$	≈ 10000
R12K	$4900 \pm 30\%$	≈ 12000