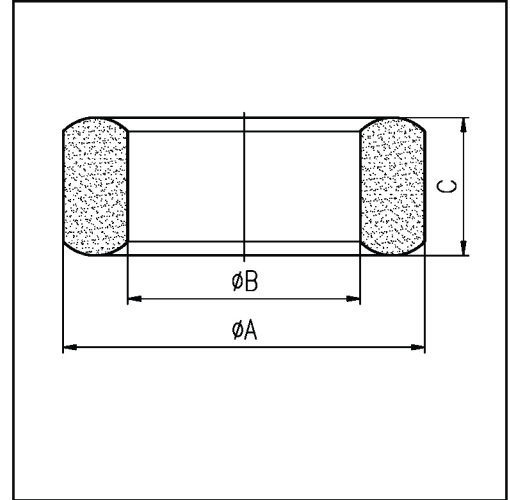


CORE SETS

Effective core parameters

| SYMBOL | PARAMETER | VALUE | UNIT |
|----------------|-----------------------|---------------|------------------|
| $\Sigma (1/A)$ | core factor (C_1) | 3.28 | mm^{-1} |
| V_e | effective volume | 176.89 | mm^3 |
| l_e | effective length | 24.10 | mm |
| A_e | effective area | 7.34 | mm^2 |
| W_t | mass of core | ≈ 1.0 | g |



| 尺寸 Coat | A | B | C |
|------------|----------------|---------------|---------------|
| Uncoat | 10.0 ± 0.3 | 6.0 ± 0.3 | 4.0 ± 0.3 |
| Coated | 10.8max | 5.3min | 4.7max |

Note: With grass green epoxy coating

Characteristic

| GRADE | AL (nH/N^2) | B (mT) | CORE LOSS (W) |
|-------|------------------------|--------------------------------|--------------------------------|
| | f=10kHz U=0.25V | H=250A/m f=25kHz T=100°C | f=100kHz B=200mT T=100°C |
| DMR40 | $940 \pm 25\%$ | ≥ 315 | ≤ 0.14 |
| DMR44 | $980 \pm 25\%$ | ≥ 315 | ≤ 0.11 |

| GRADE | AL (nH/N^2) | μ_i |
|-------|------------------------|--------------------|
| | f=10kHz U=0.25V | f=10kHz U=0.25V |
| R4K | $1700 \pm 25\%$ | ≈ 4300 |
| R5K | $2040 \pm 25\%$ | ≈ 5000 |
| R6K | $2420 \pm 25\%$ | ≈ 6000 |
| R7K | $2860 \pm 25\%$ | ≈ 7000 |
| R10K | $4080 \pm 30\%$ | ≈ 10000 |
| R12K | $4900 \pm 30\%$ | ≈ 12000 |