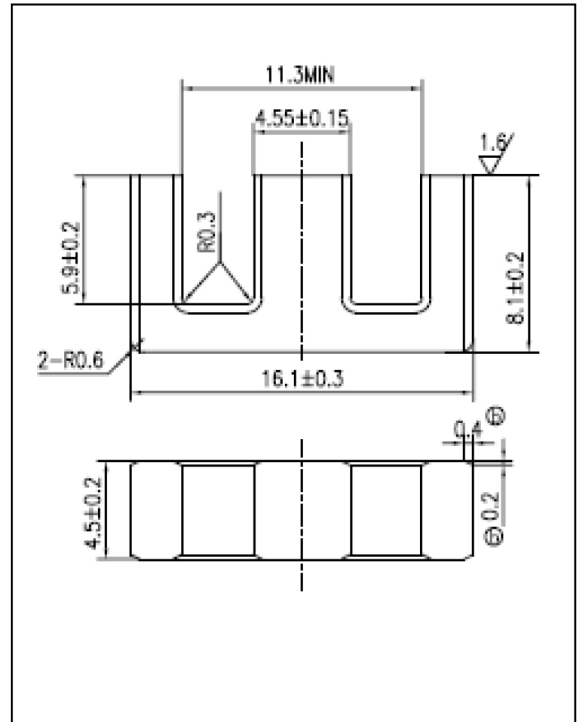


CORE SETS

Effective core parameters

SYMBOL	PARAMETER	VALUE	UNIT
$\Sigma (1/A)$	core factor (C_1)	1.87	mm^{-1}
V_e	effective volume	755.76	mm^3
l_e	effective length	37.60	mm
A_e	effective area	20.10	mm^2
A_{min}	minimum area	19.92	mm^2
W_t	mass of core set	≈ 3.9	g



Characteristic

GRADE	AL (nH/N ²)	B (mT)	CORE LOSS (W)
	f=10kHz U=0.25V	H=250A/m f=25kHz T=100°C	f=100kHz B=200mT T=100°C
DMR40	1100 ± 25%	≥250	≤0.57
DMR44	1100 ± 25%	≥250	≤0.43
DMR90	1050 ± 25%	≥300	≤0.61

GAP

GRADE	GAP (mm)	AL (nH)
DMR44	0.06	≈ 303 ± 3%
DMR44	0.10	≈ 211 ± 3%
DMR44	0.20	≈ 160 ± 3%
DMR44	0.24	≈ 110 ± 3%
DMR44	0.50	≈ 69 ± 3%