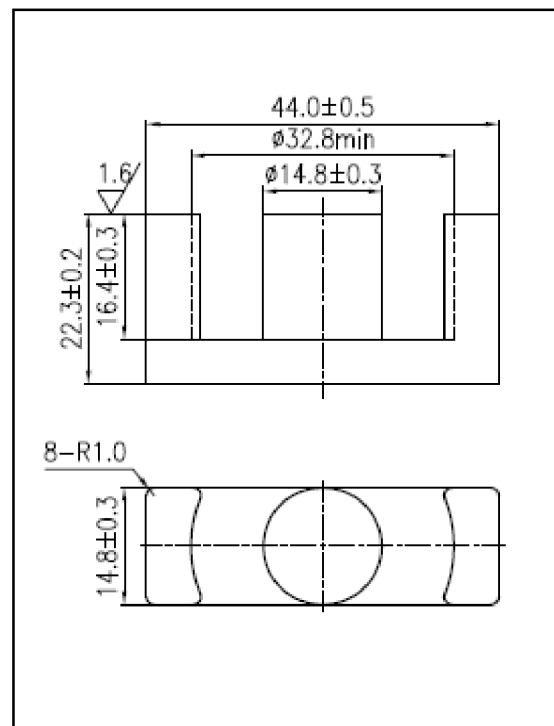


## CORE SETS

## Effective core parameters

SYMBOL	PARAMETER	VALUE	UNIT
$\Sigma (1/A)$	core factor ( $C_1$ )	0.59	$\text{mm}^{-1}$
$V_e$	effective volume	18200.00	$\text{mm}^3$
$l_e$	effective length	104.00	mm
$A_e$	effective area	175.00	$\text{mm}^2$
$A_{\min}$	minimum area	172.03	$\text{mm}^2$
$W_t$	mass of core set	$\approx 94.0$	g



## Characteristic

GRADE	AL ( $\text{nH}/\text{N}^2$ )	B (mT)	CORE LOSS (W)	
	f=10kHz U=0.25V	H=250A/m f=25kHz T=100°C	f=100kHz B=200mT T=100°C	
DMR40	$3600 \pm 25\%$	$\geq 320$	$\leq 11.28$	
DMR44	$3600 \pm 25\%$	$\geq 320$	$\leq 10.34$	
DMR47	$3700 \pm 25\%$	$\geq 340$	$\leq 9.40$	
DMR95	$5000 \pm 25\%$	$\geq 340$	$\leq 10.01$	

GRADE	AL ( $\text{nH}/\text{N}^2$ )	B (mT)	CORE LOSS (W)	
	f=10kHz U=0.25V	H=250A/m f=25kHz T=100°C	f=500kHz B=50mT T=100°C	f=3MHz B=10mT T=100°C
DMR55	$3100 \pm 25\%$	$\geq 340$	$\leq 5.46$	—