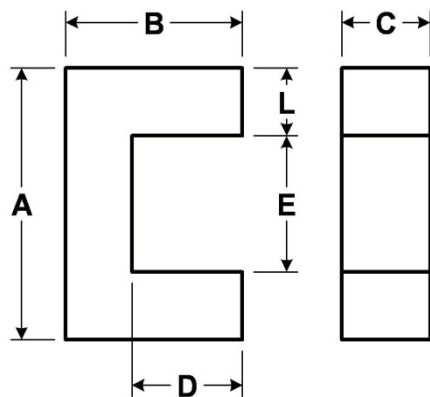




00K4119U040

110 Delta Drive
 Pittsburgh, PA 15238
 Phone: 412/696-1333
 Fax: 412/696-0333
 Email: magnetics@spang.com



Permeability (μ)	A_L (nH/T ²)
40	110 ± 8%

DIMENSIONS (mm)		±
A	40.64	0.51
B	11.18	0.26
C	19.05	0.38
D (min)	2.54	--
E (min)	23.88	--
L (nom)	8.38	--

Markings		
XXXXXX	00K4119U040	N/A
Lot Number	Part Number	Inductance Grade

Physical Characteristics				
A_e (mm ²) Cross Section	L_e (mm) Path Length	V_e (mm ³) Volume	Weight (grams)	Box Quantity (pieces)
160	85.2	13,630	38.2	240

Available Hardware

