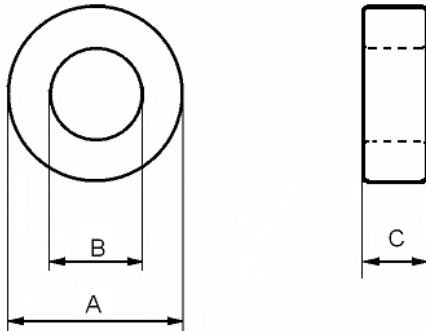




0077907A7

110 Delta Drive
 Pittsburgh, PA 15238
 Phone: 412/696-1333
 Fax: 412/696-0333
 Email:magnetics@spang.com



Permeability (μ)	A_L (nH/T ²)
60	85 ± 8%

Dimensions (mm)		
	Uncoated	Coated
O.D. (A)	77.8 nom	78.95 max
I.D. (B)	49.2 nom	48.20 min
Ht. (C)	15.9 nom	17.02 max

Markings		
XXXXXX	77907A7	N/A
Lot Number	Part Number	Inductance Grade

Physical Characteristics					
W_A (mm ²) Window Area	A_e (mm ²) Cross Section	L_e (mm) Path Length	V_e (mm ³) Volume	Weight (grams)	Box Quantity (pieces)
1,799	221	196.1	43,400	262	40

Winding Turn Length (mm)	
Winding Factor	Length/Turn
100% (Unity)	110
60%	92.4
40%	75.3
20%	68.0
0%	65.2

Wound Coil Dimensions (mm)	
Maximum O.D. (u.w.f.)*	113
Maximum HT. (u.w.f.)*	57.7

*u.w.f. – unity winding factor

Surface Area (mm ²)	
Unwound Core	13,000
40% Winding Factor	22,520