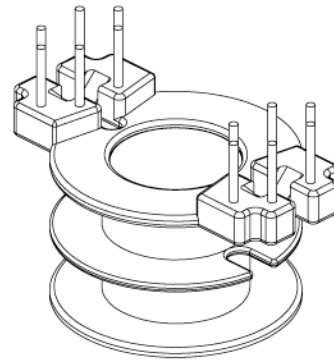
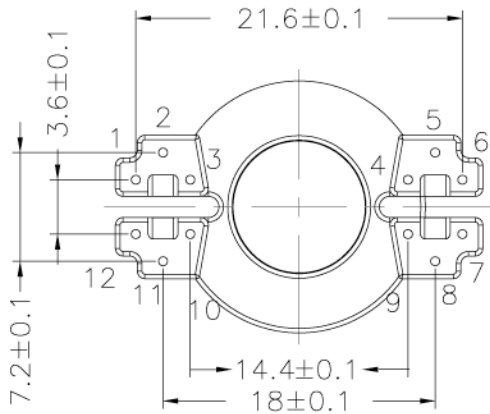
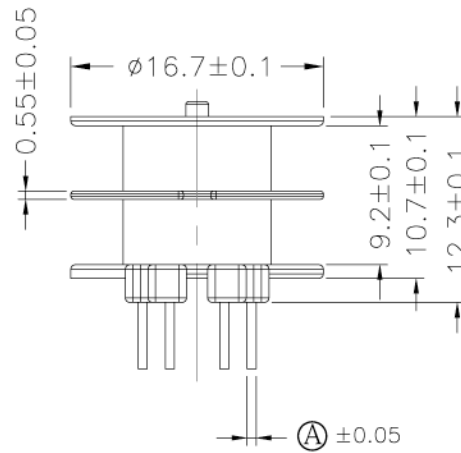
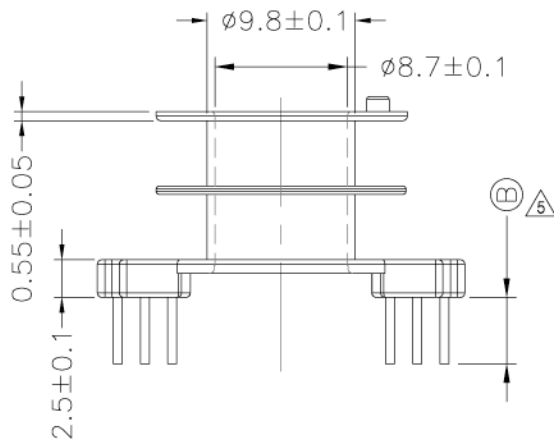
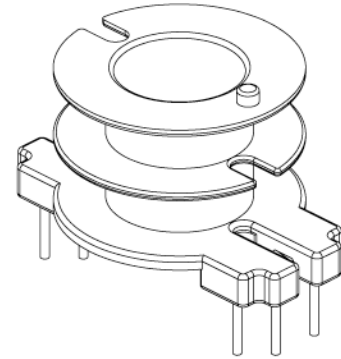
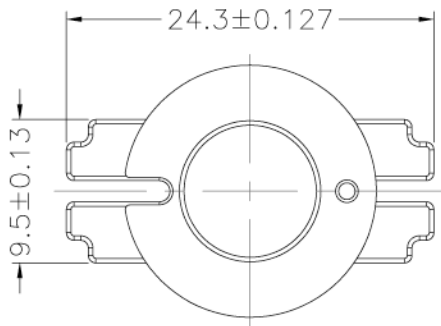


LEPCOS (North-West Laboratory)
<http://ferrite.ru> Tel/fax +7-812-369-11-54

| REVISIONS | | | | |
|-----------|-----|---------|---------|----------|
| REV | SYM | DRAFTER | CHECKER | DATE |
| △3 | | T.S.LII | W.H.HSU | 11/04/03 |
| △4 | | T.S.LII | W.H.HSU | 07/24/06 |
| △5 | | T.S.LII | W.H.HSU | 02/27/07 |



| | | | | | |
|---------------------------------------|---|---------------------|--------------------|----------------------------------|-------|
| DWG NO. | Bobbin Rm8 2sec 12pin E-046-1 | | | | |
| PART NO. | MATERIAL (BOBBIN) | MATERIAL (TERMINAL) | TERMINAL (PLATING) | PIN ALLOCATION | NOTE |
| E-046-1 | PM-9630JT | C.P WIRE | Sn | ALL PIN , A = φ0.6 , B = 4.4±0.3 | |
| TOLERANCE: .X±0.15 .XX±0.10 .XXX±0.05 | | | | | |
| UNIT : m / m | | | | SCALE 2 : 1 | |
| Finish: | 1. Pb wire Immersion Sn on terminal : Thickness:Sn plating,100,5 μ m (200 μ inches) min,Base nickel 0.625 μ m (25 μ inches) min. 2. CP wire Immersion Sn on terminal : Thickness:Sn plating,100,5 μ m (200 μ inches) min. 3. Coplanarity deviation: 0.10 mm (0.004 inches) max. | | | | REV 5 |