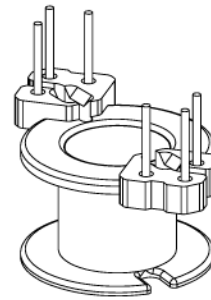
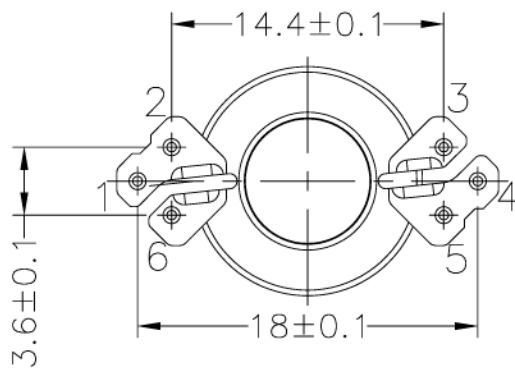
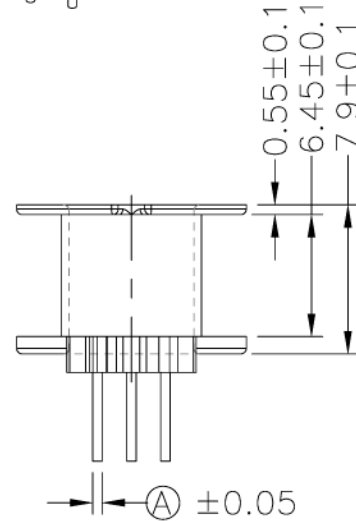
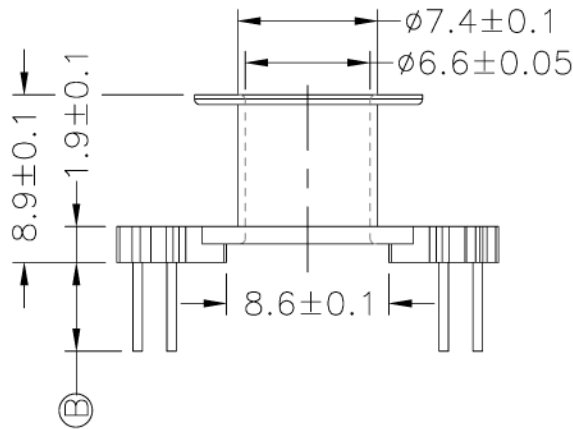
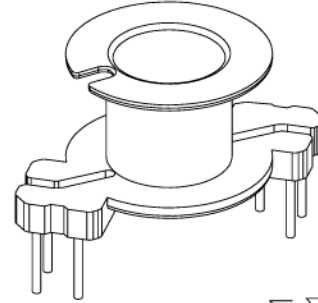
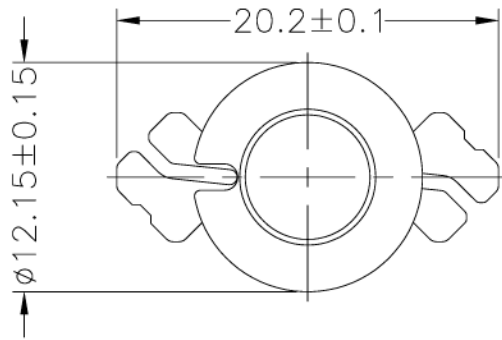


**LEPCOS (North-West Laboratory)**  
<http://ferrite.ru> Tel/fax +7-812-369-11-54  
 St-Petesburg, Russia

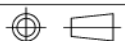
REVISIONS				
REV	SYM	DRAFTER	CHECKER	DATE
△5		T.S.LII	W.H.HSU	06/02/03
△6		T.S.LII	W.H.HSU	07/21/06
△7		S.Y.TANG	W.H.HSU	04/11/07



DWG NO. Bobbin RM6 1 sec 6 pin E-045

PART NO.	MATERIAL (BOBBIN)	MATERIAL (TERMINAL)	TERMINAL (PLATING)	PIN ALLOCATION	NOTE
----------	-------------------	---------------------	--------------------	----------------	------

E-045	PM-9630	C.P WIRE	Sn	ALL PIN, (A)= $\phi$ 0.5 (B)= $4.7\pm 0.3$	
-------	---------	----------	----	--	--



TOLERANCE: .X $\pm$ 0.15 .XX $\pm$ 0.10 .XXX $\pm$ 0.05

UNIT : m / m

SCALE 2.5 : 1

Finish: 1. Pb wire Immersion Sn on terminal : Thickness:Sn plating,100,5  $\mu$ m (200  $\mu$  inches) min,Base nickel 0.625  $\mu$ m (25  $\mu$  inches) min.  
 2. CP wire Immersion Sn on terminal : Thickness:Sn plating,100,5  $\mu$ m (200  $\mu$  inches) min.  
 3. Coplanarity deviation: 0.10 mm (0.004 inches) max.

REV 7