

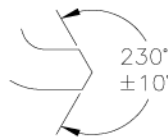
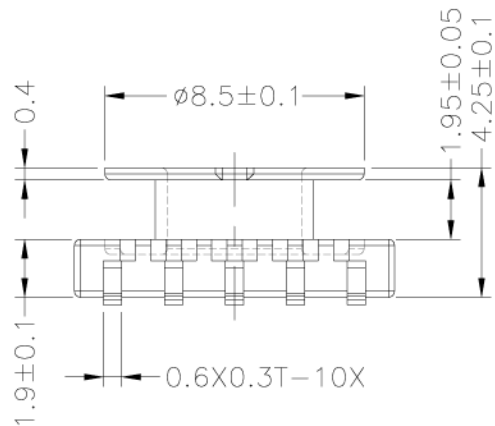
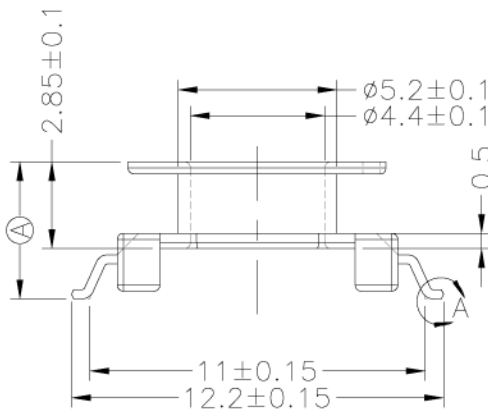
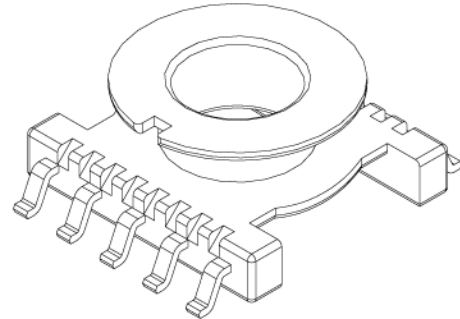
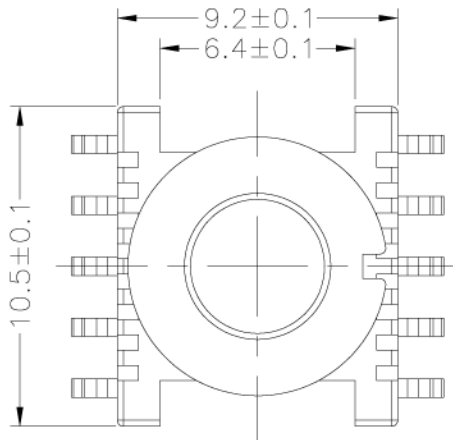
LEPCOS (North-West Laboratory)

http://ferrite.ru Tel/fax +7-812-369-11-54

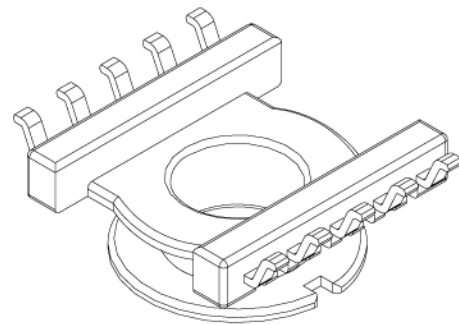
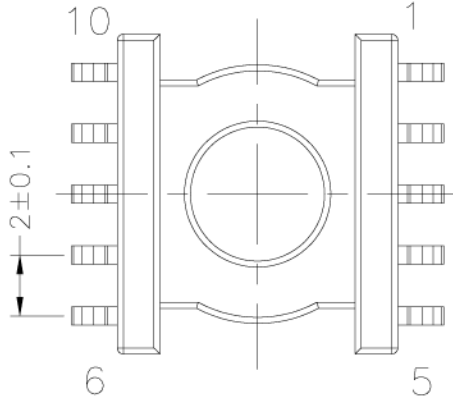
St-Petersburg, Russia

REVISIONS

REV	SYM	DRAFTER	CHECKER	DATE
1		S.Y.TANG	S.M.SHIH	11/28/06
2		S.Y.TANG	W.H.HSU	06/08/07
3				

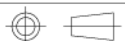


DETAIL:A
PATENTED



DWG NO. ER11/5 1sec 10 pin E-009

PART NO.	MATERIAL (BOBBIN)	MATERIAL (TERMINAL)	TERMINAL (PLATING)	PIN ALLOCATION	NOTE
E-009	PM-9630	P.B	Sn	ALL PIN, (A)= 4.5±0.15	
E-009v1	PM-9630	P.B	Sn	CUT PIN # 2,3,4,7,8,9, (A)= 4.5±0.15	2



TOLERANCE: .X±0.15 .XX±0.10 .XXX±0.05

UNIT : m / m

SCALE 4 : 1

Finish: 1. Pb wire Immersion Sn on terminal : Thickness:Sn plating,100,5 μm (200 μ inches) min,Base nickel 0.625 μm (25 μ inches) min.
2. CP wire Immersion Sn on terminal : Thickness:Sn plating,100,5 μm (200 μ inches) min.
3. Coplanarity deviation: 0.10 mm (0.004 inches) max.

REV 2