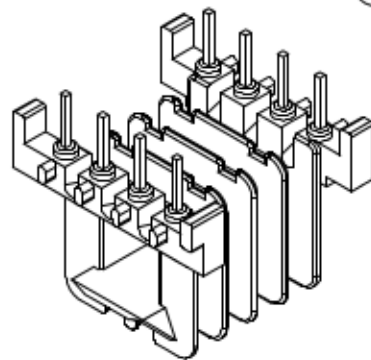
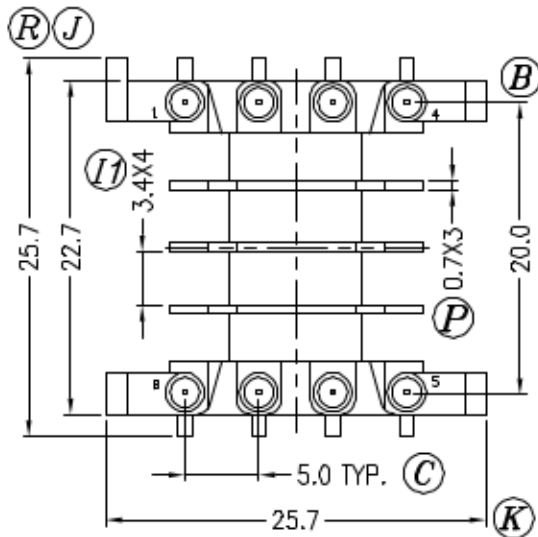
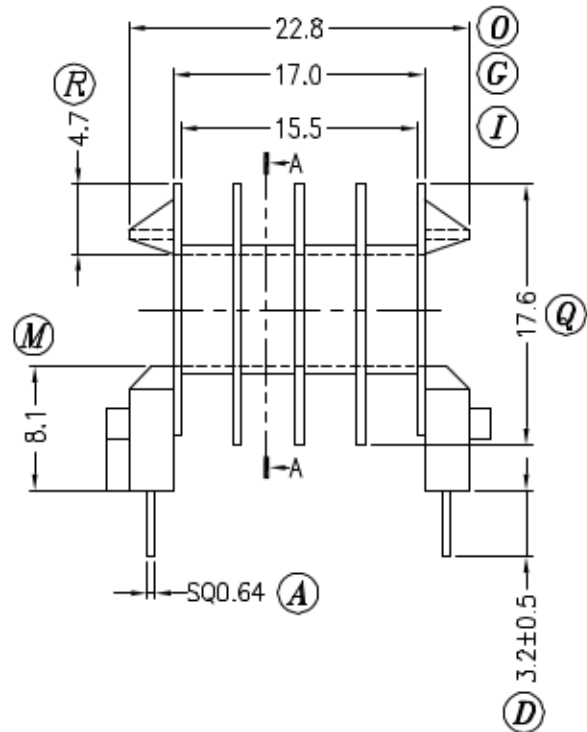
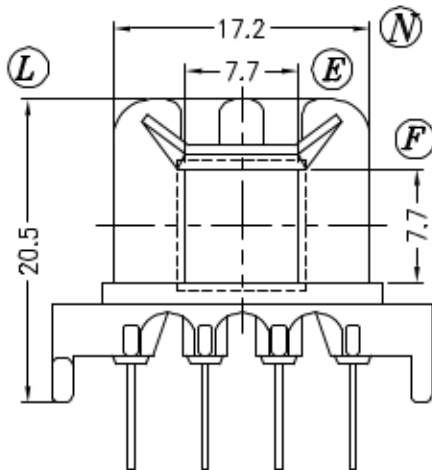
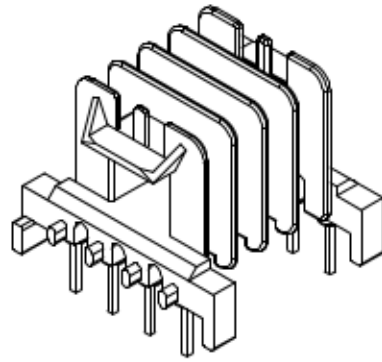


SEC. A-A



REV.	REVISIONS REC.	DATE	REV.	REVISIONS REC.	DATE
1	(L):20.6->20.5 (H1)8.9->9.0 (H):8.8->9.0				
2	(E): 7.6->7.7 (F): 7.6->7.7 (L): 20.6->20.5 (M): 8.4->8.1				
	(U): 3.3->3.4				

DRAWN & DRAFTED BY LIU YUANBIN	TOLERANCES		ANGLE: ±1°	TITLE: BOBBIN EF-25H (4 GROOVES)	
	0<L≤4 ±0.1	pin pitch ±0.2	UNIT: MM	BOBBIN MATERIAL: PET FR530	UL REC. UL 94V-0
CHECKED & APPROVED BY	4<L≤16 ±0.2		ORIGIN: DG	PIN MATERIAL: CP WIRE	PIN TENSION LOAD: 1.5KG MIN
LEPCOS (NWL) http://ferrite.ru Pin Shine Industrial Co bobbin				DATE: MAR.05 '1998	DRAWING NO. P-2505
					REV. 0