

**DESCRIPTION:**

SCD105-330M

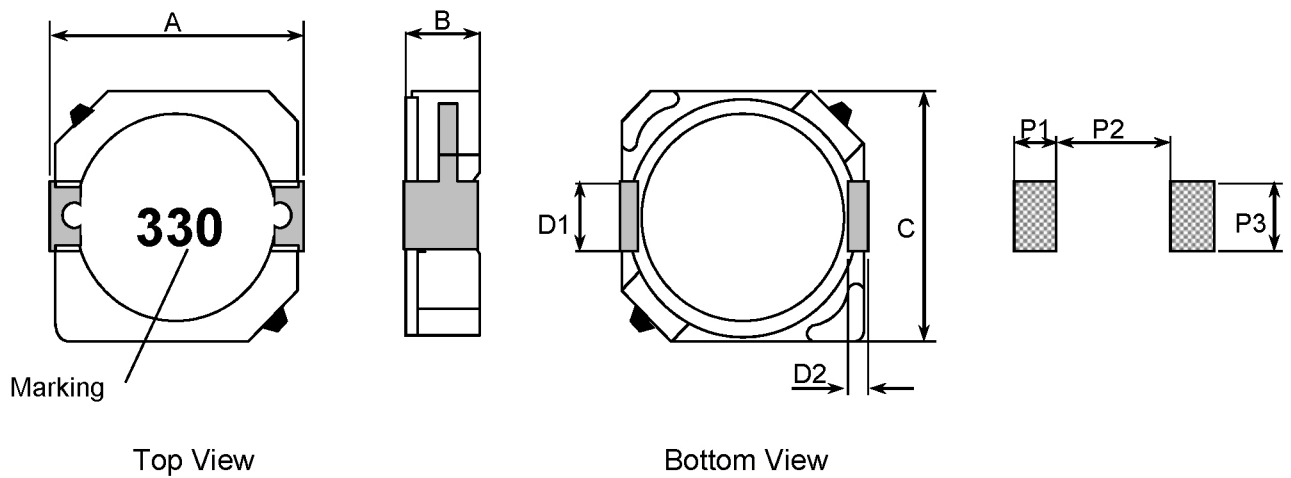
VERSION:A

PAGE:1/2

**SPECIFICATION****Compliant RoHS**

DIMENSION: mm

A	B	C	D1	D2	P1	P2	P3
11 max	5.5 max	11 max	3±0.2	1.2±0.2	2 Ref	7 Ref	3.5 Ref

**ELECTRONIC CHARACTERISTICS**

INDUCTANCE TH2832LCR f=100KHz/0.1V	DCR at 25°C TH2516B	DCI TH2816B+TH1773	Rated Current (A)max
33μH±20%	102 mΩ max	L 2.4A≥L0A×70%	2.4 A